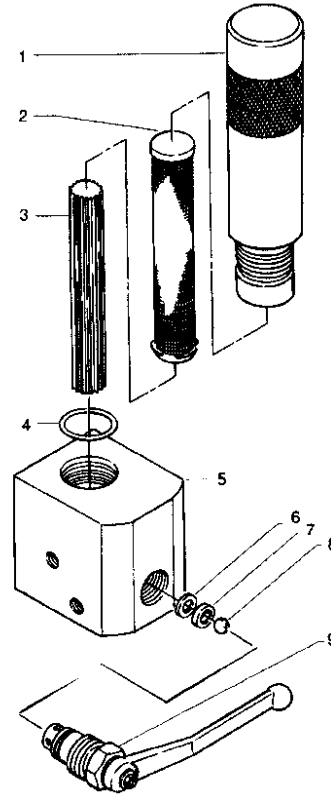
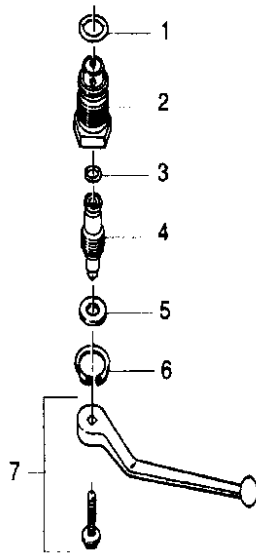


P/N 0294220 - Filter/Valve assembly

PRIME/SPRAY valve cartridge



English

Item	Part no.	Description	Qty.
1	9871046	O-Ring	1
2	0294498	Body, Dump Valve	1
3	9871045	O-Ring	1
4	0294500	Stem, Dump Valve	1
5	0294501	Washer, Dump Valve	1
6	9822516	Ring, Retainer	1
7	0294711	Handle, Dump Valve	1

English

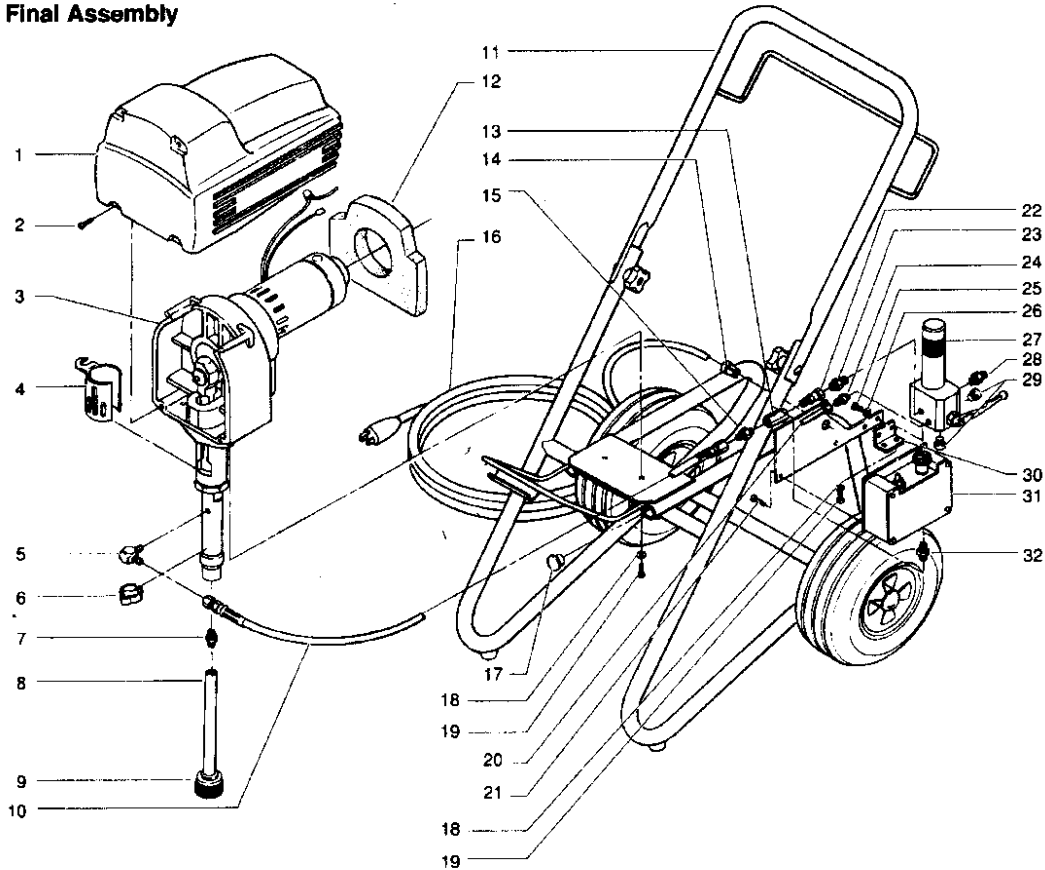
Item	Part no.	Description	Qty.
1	0294194	Filter body Assembly	1
2	14069	Filter sieve (50 Mesh)	1
	14068	Filter sieve (100 Mesh) - optional	
3	14066	Filter support	1
4	14072	O-ring	1
5	0294555	Prime/Spray valve head	1
6	0294499	Valve seal	1
7	0294516	Valve seat	1
8	9841502	Ball, 10mm	1
9	0294214	Prime/Spray valve cartridge	1

NOTE: Tabs on filter sieve should always go into the filter head. Avoid forcing tabs into filter body. Do not use halogenated hydrocarbons. 3000 PSI maximum.

3 Filter support
9894214

WAGNER ELECTRIC PISTON UNITS EP 2400

EP2400 Final Assembly



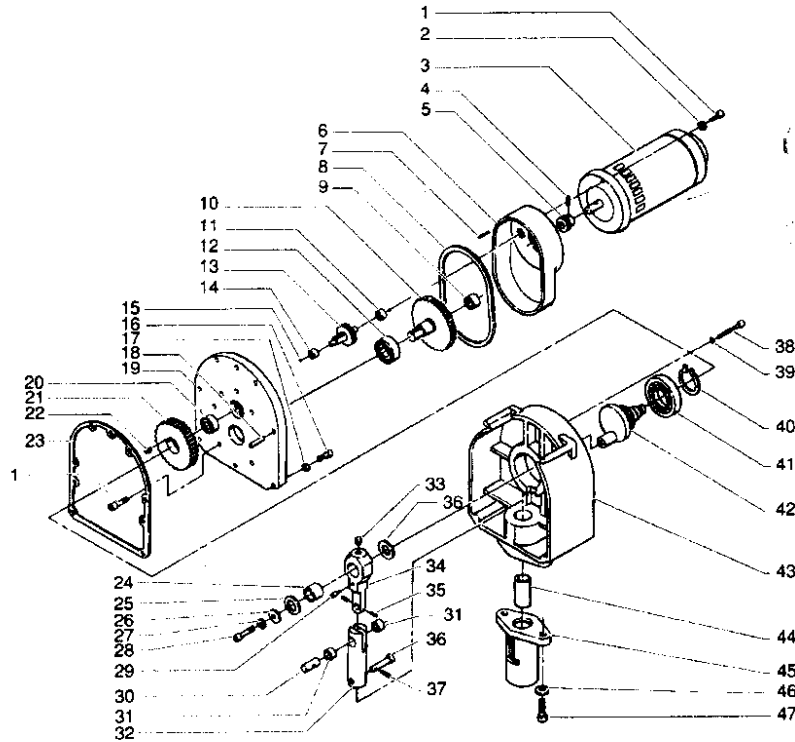
English

Item	Part no.	Description	Qty.	Item	Part no.	Description	Qty.
1	0279317	Motor shroud	1	19	52183	Bolt	4
2	9802537	Screw	4	20	0294280	Return tube	1
3	-----	Drive assembly (see separate listing)	1	21	9802252	Screw	4
4	0294644	Guard	1	22	05045	Nipple	1
5	12440	Elbow 90°	1	23	04928	Swivel	1
6	0294584	Return tube clamp	1	24	9885563	Tube fitting	1
7	17647	Adapter	1	25	54009	Carriage bolt	2
8	0294633	Suction tube	1	26	9820206	Flat washer	2
9	02975	Intake screen	1	27	0294220	FILTER/VALVE Assembly (see separate listing)	1
10	0294609	Fluid hose	1	28	02518	Nipple	1
11	-----	Cart assembly (see separate listing)	1	29	51055	Plug, pipe	2
12	0294620	Baffle	1	30	0294631	Filter bracket	1
13	13846	Manifold	1	31	-----	Pressure control assembly (see separate listing)	1
14	54204	Strain relief	1	32	02208	Transducer assembly (see separate listing)	1
15	51551	Nipple	1				
16	02491	Cordset assembly	1				
17	0294635	Plug, Tube	4				
18	51357	Lock washer	4				

Note: Optional part number 0294254 includes items 23, 24, 27, 28

WAGNER ELECTRIC PISTON UNITS EP 2400

Drive Assembly



English

Item	Part no.	Description	Qty.	Item	Part no.	Description	Qty.
1	50318	Screw	13	25	53996	Washer, Flat	1
2	50113	Washer, Lock	13	26	08672	Washer, Thrust	2
3	19496	Motor	1	27	9821506	Washer, Lock	1
4	50717	Pin, Spring	1	28	54186	Screw	1
5	05207	Pinion	1	29	53237	Fitting, Grease	1
6	19015	Case, Gear	1	30	19054	Pin, Connecting, Upper	1
7	52027	Pin, Dowel	2	31	19097	Bushing	2
8	17183	Gasket	1	32	19089	Slide Block	1
9	50962	Bearing	1	33	53244	Plug, Pipe	1
10	05274	Gear	1	34	19062	Rod, Connecting	1
11	50989	Bearing	1	35	51691	Screw, Set	2
12	50997	Bearing	1	36	19194	Pin, Connecting, Lower	1
13	05231	High Speed Cluster	1	37	51831	Pin, Cotter	1
14	0293364	Bearing	1	38	53082	Screw	2
15	50008	Ball	2	39	11843	Washer	2
16	54190	Screw	7	40	53821	Ring, Retainer	1
17	9821514	Washer, Lock	7	41	19127	Bearing	1
18	53031	Pin, Dowel	3	42	19046	Crankshaft	1
19	19040	Plate, Adapter	1	43	0294565	Housing	1
20	50547	Bearing	1	44	19119	Guide, Bushing	1
21	05282	Gear	1	45	19002	Extension, Housing	1
22	05304	Key	1	46	52256	Washer, Lock	2
23	19216	Gasket	1	47	52396	Screw	2
24	50555	Bearing	1				

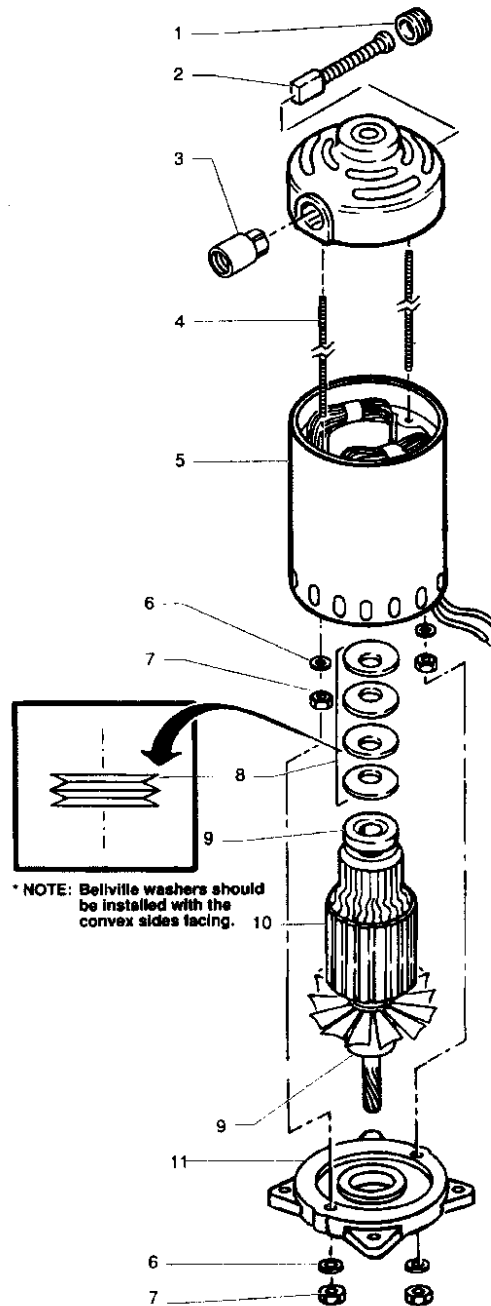
Motor
+
Gearbox

WAGNER ELECTRIC PISTON UNITS EP 2400

Motor Assembly

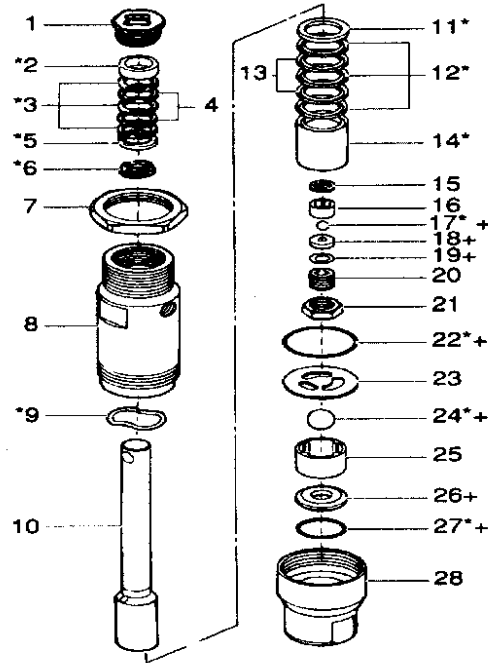
English

Item	Part no.	Description	Qty.
1	01686	Brush Cap	2
2	01694	Motor Brush	2
3	01678	Brush Holder	2
4	01783	Stud	2
5	19498	Stator Assy.	1
6	50148	#10 Lockwasher	4
7	50865	10-32 Nut	4
8	01791	Belleville Washer	4
9	50962	Bearing-Commutator End	2
10	19497	Armature w/Bearings (Includes #50962 Bearing)	1
11	05453	End Plate Assy.	1



WAGNER ELECTRIC PISTON UNITS EP 2400

Fluid section assembly



English

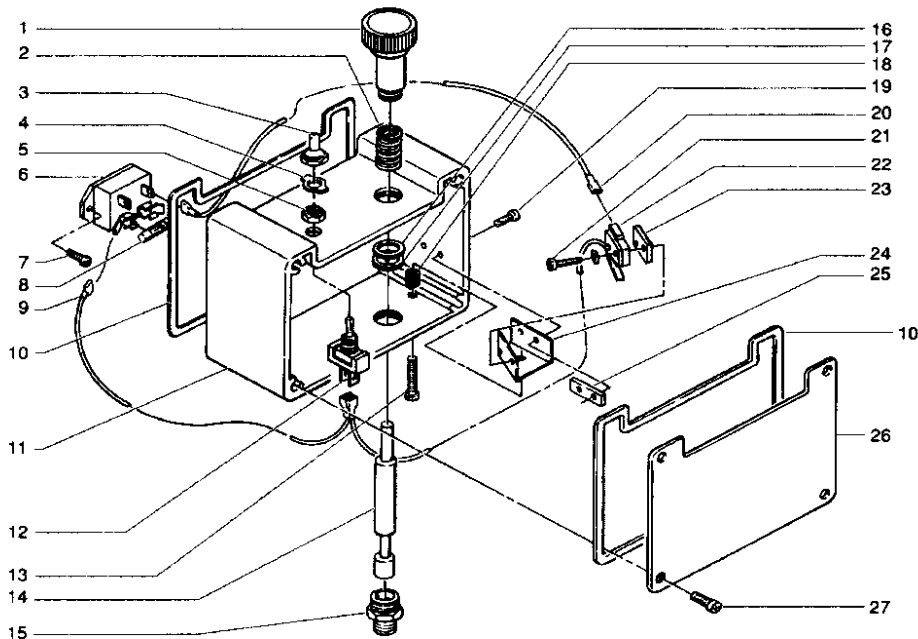
Item	Part no.	Description	Qty.
1	0294319	Packing nut	1
2	0294377	Adapter	1
3	08180	Packings, UHMWPE	3
4	00078	Packings, leather	2
5	0294376	Pressure ring	1
6	0294379	Wave spring	1
7	00302	Locknut	1
8	0294486	Cylinder	1
9	13364	Wave spring	1
10	0294485	Piston rod	1
11	0294326	Pressure ring	1
12	08070	Lower packings, UHMWPE	3
13	09091	Lower packings, leather	2
14	0294484	Lower female adapter	1
15	13458	Outlet ball stop disc	1
16	13357	Outlet ball cage	1
17	50164	Outlet ball	1
18	13359	Outlet ball seat	1
19	09446	Washer	1
20	13481	Retaining nut (torque to 250 in./lbs.)	1
21	13482	Jam nut (torque to 200 in./lbs.)	1
22	13381	O-ring	1
23	13380	Inlet ball stop disc	1
24	51519	Inlet ball	1
25	00311	Inlet ball cage	1
26	00310	Inlet ball seat	1
27	00203	O-ring	1
28	13403	Inlet valve housing (torque to 40 ft./lbs.)	1
Optional repair kits:			
	0279910	Packing kit (includes items with an *)	
	0294689	Valve Kit (includes items with a +)	

fluid hose 13549 not

WAGNER ELECTRIC PISTON UNITS EP 2400

0294609

Pressure control assembly

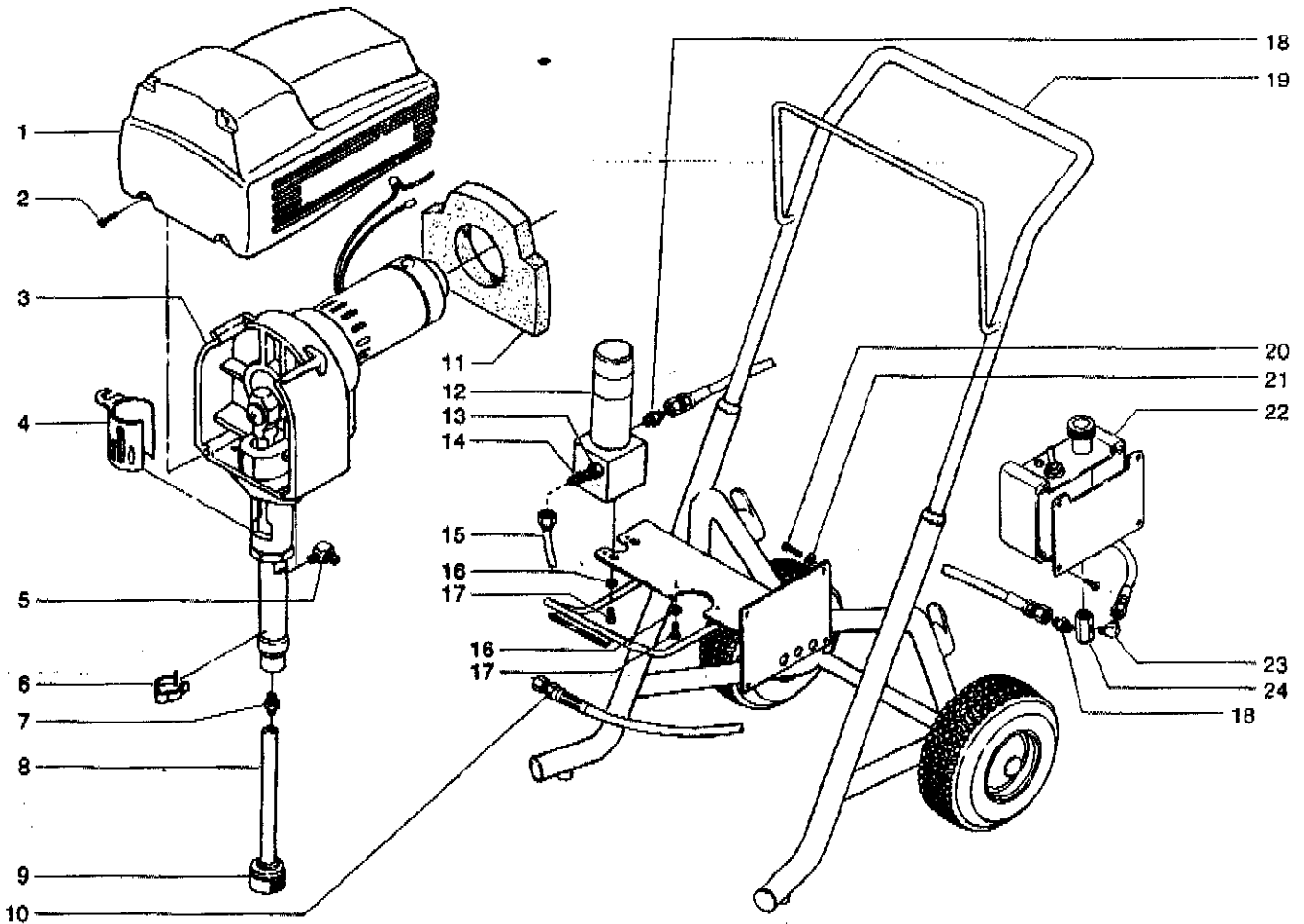


English

Item	Part no.	Description	Qty.	Item	Part no.	Description	Qty.
1	0294430	Knob	1	15	02208	Transducer assembly (see separate listing)	1
2	02712	Spring	1	16	02739	Washer	1
3	02585	Boot, Toggle	1	17	50458	Ring, Retaining	1
4	0089986	Plate, ON/OFF	1	18	9894230	Spring	1
5		Nut	1	19	9800331	Screw	2
6	19045	Relay	1	20	9851311	Lead Wire	1
7	50520	Screw	3	21	9800604	Screw	2
8	53139	Fuse	1	22	0294186	Pressure Switch Assembly	1
9	0294170	Lead Wire	1	23	03662	Spacer	1
10	0291442	Gasket	2	24	0294332	Bracket	1
11	0294622	Housing	1	25	0294336	Plate	1
12	53280	Switch, ON/OFF	1	26	0291438	Cover	1
13	9803102	Screw	1	27	9802250	Screw	4
14	0294331	Plunger	1				

EP2400 I

Parts Listing • Schémas des pièces • Diagramas de las piezas
Final Assembly • Assemblage final • Conjunto final



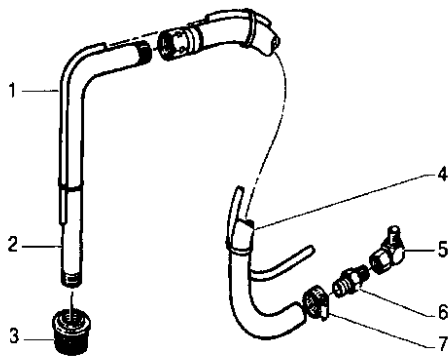
English

Item	Part No.	Description	Qty.	Item	Part No.	Description	Qty.
1	0279317	Motor shroud.....	1	15	0507162	Return tube.....*	1*
2	9802537	Screw.....	4	16	51357	Lock washer.....	4
3	-----	Drive assembly (see separate listing).....	1	17	52183	Bolt.....	4
4	0294644	Guard.....	1	18	05045	Nipple.....	2
5	12440	Elbow 90°.....	2	19	-----	Cart assembly (see separate listing).....	1
6	0294584	Return tube clamp.....	1	20	9802252	Screw.....	4
7	17647	Adapter.....	1	21	9822101	Washer.....	4
8	0507389	Suction tube.....	1	22	-----	Pressure control assembly (see separate listing).....	1
9	02975	Intake screen.....	1	23	9885547	Elbow, 45°, 1/4" NPT Male.....	1
10	0294609	Fluid hose.....	1	24	02429	Manifold.....	1
11	0294620	Baffle.....	1	25	9850626	Strain relief (not shown).....	1
12	0294220	FILTER/VALVE Assembly (see separate listing).....	1	26	02491	Cordset assembly (not shown).....	1
13	02518	Outlet fitting.....	1	27	02208	Transducer assembly (not shown, see separate listing).....	1
14	9885563	Return tube fitting.....	1				

WAGNER

English

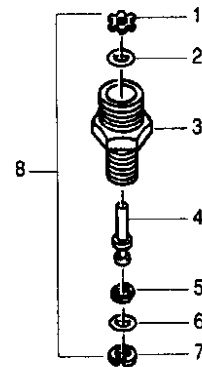
Optional suction set assembly •



English

Item	Part no.	Description	Qty.
1	9881915	Hose, Return	1
2	13463	Tube, Siphon	1
3	02975	Strainer	1
4	0294426	Hose, Siphon	1
5	0090447	Elbow	1
6	13455	Fitting, Hose	1
7	53635	Clamp, Hose	1

Transducer assembly •



English

Item	Part no.	Description	Qty.
1	50431	Retainer ring	1
2	50504	O-ring	1
3	02216	Transducer body	1
4	02232	Piston	1
5	50512	Backup ring	1
6	02305	O-ring, lacquer based material (Optional for lacquer based material)	1
	50482	O-ring, standard material	1
7	50423	Retainer ring	1
8	02283	Transducer packing kit (includes items 1, 2 and 4 through 7)	1