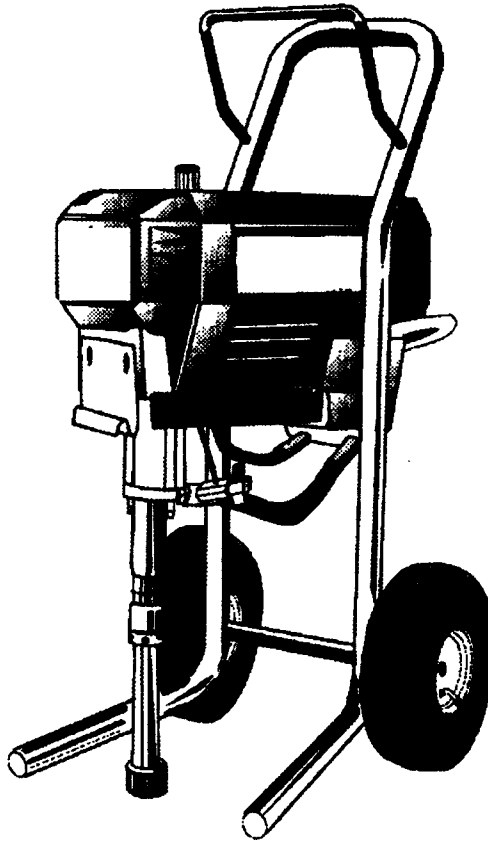


AIRLESS PAINT SPRAYER OPERATORS MANUAL



8, 10 & 11 SERIES MODELS

WARNING !!

**HANDLE THIS UNIT AS YOU WOULD A LOADED FIREARM!
The high pressure spray can cause extremely serious injury.
OBSERVE ALL WARNINGS!**

Before operating this unit, read and follow all safety warnings and instructions related to the usage of this equipment. READ, LEARN and FOLLOW the Pressure Relief Procedure on Page 6 of this manual.

All Service Procedures to be performed by Authorized Airlessco Service Center ONLY.

NO MODIFICATIONS or alterations of any AIRLESSCO Equipment or any AIRLESSCO part is allowed.

Manufactured by: AIRLESSCO BY DUROTECH CO.

**P.O. Box 8006, Moorpark, CA. 93020-8006, Ship to: 5397 Commerce Ave.,
Moorpark, CA 93021 Tel: 805-523-0211 Fax: 805-523-1063
SUBJECT TO CHANGE WITHOUT NOTICE.**



TABLE OF CONTENTS

Introduction	1
Flushing	1
How to Flush	2
Setting Up	3
Starting Up	3, 4
Warnings- Read prior to using sprayer	4, 5, 6, 7
PRESSURE RELIEF PROCEDURE	6
Airlessco 007 Spray Gun	8
Spray Technique	9 &10
Airless Spray Gun Troubleshooting	11
Spray Tip Selection	12
Regular Maintenance	13
Electric Motor Maintenance	13
Troubleshooting	14
Servicing the Fluid Pump	15
Servicing Upper & Lower Check Valves	16
V-Packing Replacement	17
Fluid Pump	18
Replacement of Belt/Belt Adjustment	19
Suction Assemblies	19
Manifold Filter Parts List	20
Paint System.....	21
Machine Parts List	22, 23
Supplemental 230 Volt Part List	24

INTRODUCTION

This airless paint sprayer is a time tested, slow stroking pump - contractor approved to meet the demanding needs of the professional painting contractor.

SPECIFICATIONS

	<u>AIRLESSCO</u>	<u>ALLPRO</u>	<u>GPM</u>	<u>PRESSURE</u>	<u>MAX. TIP SIZE</u>
8 SERIES	SL810	810E	.81	3000	.021 (1 gun)- .017 (2 guns)
10/11 SERIES	SL1100	1000E	1.1	3000	.033(1 gun)- .021 (2 guns)

WARNING

Prior to starting, read, understand and observe all safety precautions & warnings on page 4, 5, 6 & 7 and all labels and tags on the machine.

FLUSHING - Read prior to using your sprayer

1. New Sprayer

Your new unit was factory tested in oil, which was left in the pump. **Before using oil-base paint**, flush with mineral spirits only.

Before using water-base paint, flush with mineral spirits, followed by soapy water, then a clean water flush.

2. Changing Colors

Flush with a compatible solvent such as mineral spirits or water.

3. Changing From Water-base to Oil-base

Flush with soapy water, then mineral spirits.

4. Changing From Oil-base to Water-base

Flush with mineral spirits, followed by soapy water, then a clean water flush.

5. Storage

Always relieve pressure (See pressure relief procedure on page 6) prior to storage or when machine is unattended.

Oil-base Paint: Flush with mineral spirits. Ensure that there is no pressure in the unit, then close the prime/pressure relief valve.

Water-base Paint: Flush with water, then mineral spirits. For longer term storage use a 50/50 mixture of mineral spirits and motor oil. Always ensure that there is no pressure in the unit, and close the prime/pressure relief valve for storage.

WARNING: NEVER LEAVE PUMP UNATTENDED WHILE UNDER PRESSURE !

6. Start Up After Storage

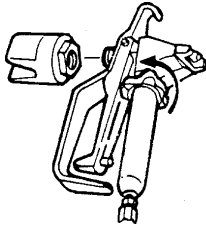
Before using **water-base paint**, flush with soapy water and then a clean water flush.

When using **oil-base paint**, flush out the mineral spirits with the material to be sprayed.

HOW TO FLUSH

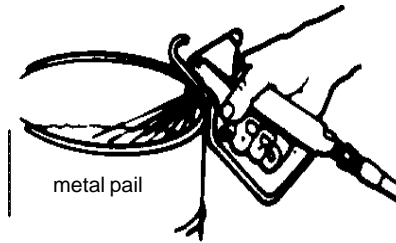
FIG. 1

REMOVE
SPRAY
TIP



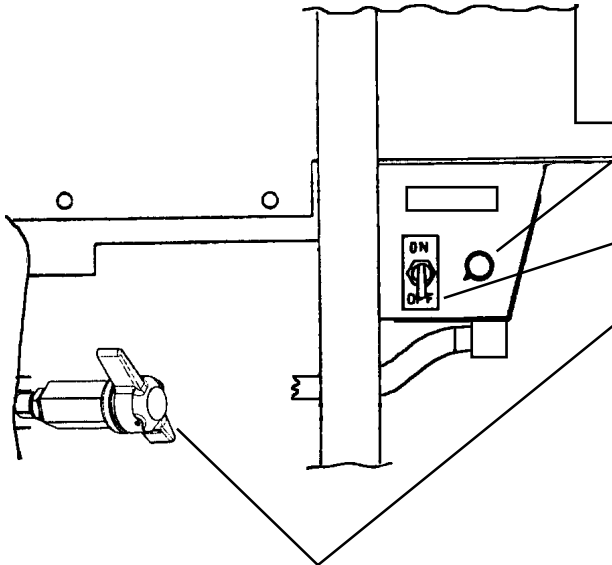
ENGAGE GUN
SAFETY LATCH
(LOCK GUN) as
per gun instruc-
tion manual.

FIG. 3



metal pail

FIG. 2

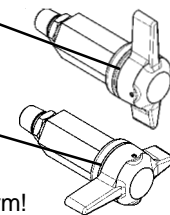


Pressure Control Knob: used to adjust pressure only. Turn clockwise to increase pressure and counterclockwise to decrease pressure.

**On/Off Switch
Thermal Overload Switch**

Prime/Pressure Relief Valve (Prime/PR Valve)
Used to relieve pressure from gun, hose & tip and to prime the unit when in OPEN position. (It is in open position when there is a wider gap between valve handle and cam body)

When in CLOSED position, there is only a very slight gap between handle & body. When closed the system is pressurized. Handle as a loaded firearm!



1. Be sure the gun safety latch is engaged and there is no spray tip in the gun. Refer to your separate instruction manual provided with your gun on its safety features and how to engage safety latch. Refer to Fig. 1

2. Pour enough clean, compatible solvent into a large, empty metal pail to fill the pump and hoses.

3. Place the suction tube into the pail or place the pail under the pump.

4. Turn the pressure control knob to low pressure. Refer to Fig. 2.

5. Open the prime valve to the open- priming position. This will allow an easy start. Refer to Fig. 2.

6. Turn the motor ON/OFF switch to ON.

7. Point the gun into the metal pail and hold a metal part of the gun firmly against the pail. Refer to Fig. 3.

WARNING: To reduce the risk of static sparking, which can cause fire or explosion, always hold a metal part of the gun firmly against the metal pail when flushing. This also reduces splashing. Refer to Fig. 3.

8. Disengage the gun safety latch and squeeze the gun trigger. At the same time, slowly turn the pressure control knob clockwise, just enough to start the pump. Refer to Fig. 2.

9. Allow the pump to operate until clean solvent comes from the gun.

10. Release the trigger and engage the gun safety latch.

11. If you are going to start spraying, place the suction tube into the supply container. Release the gun safety latch and trigger the gun into another empty, metal container, holding a metal part of the gun firmly against the metal pail, and force the solvent from the pump and hose. Engage the gun safety latch until you are ready to prime the pump.

12. If you are going to store the sprayer, remove the suction tube from the solvent pail, holding a metal part of the gun firmly against the metal pail, force the solvent from the pump and hose, Engage the gun safety latch. Refer to "Storage" procedure on page 1.

13. Whenever you shut off the sprayer follow the Pressure Relief Procedure Warning on Page 6.

SETTING UP

1. Connect the Hose and Gun

- Remove the plastic cap plug from the outlet connector and screw a conductive or grounded 3000 psi spray hose onto fluid outlet.
- Connect an airless spray gun to the other end of the hose.

2. Fill the Packing Nut/Wet Cup 1/3 full with Throat Seal Oil (TSO) supplied. (Fig. 4)

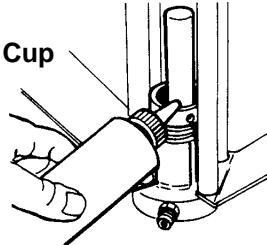


FIG. 4

3. Check the Electrical Service

Be sure the electrical service is 120 V, 60 HZ AC 15 amp minimum and that the outlet you use is properly grounded.

4. Grounding

WARNING: To reduce the risk of static sparking, fire or explosion which can result in serious bodily injury and property damage, always ground the sprayer and system components and the object being sprayed as instructed on page 6.

5. Flush the sprayer as per "Flushing" - New Sprayer on page 1 and "How to Flush" on page 2.

SETTING UP AND STARTING -

Read Safety Warnings on page 4, 5, 6 and 7 before starting.

1. Learn the Controls

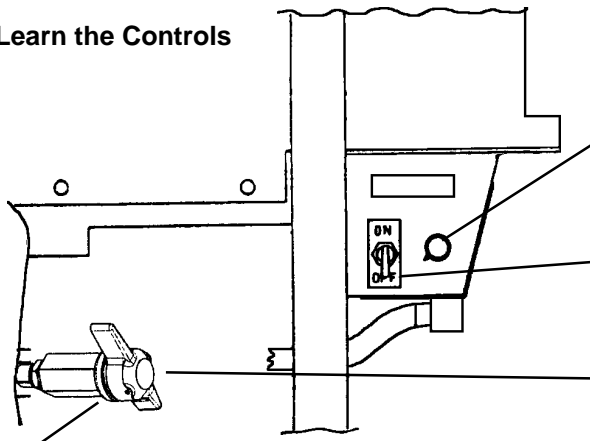


FIG. 5

Pressure Control Knob

-used to adjust pressure only. Turn clockwise to increase pressure and counterclockwise to decrease pressure.

On/Off Switch

Thermal Overload Switch

Prime/Pressure Relief Valve- used to **relieve pressure** from gun, hose & tip AND to Prime machine when in open position (a wider gap shows between valve handle and cam body.) When in closed position (very slight gap) the system is pressurized and ready to spray. Learn and follow **Pressure Relief Procedure** on page 6 of this manual.

When you turn the valve handle and the gap between the valve handle and the cam body becomes wider - this means the valve is in the open position. It is in the closed position when the gap becomes very small.

2. Prepare the Material according to the material manufacturer's recommendations.

3. Place the suction tube into the material container.

4. Starting the Sprayer (See Fig. 5 above)

- Prime Valve must be open - priming position.
- Pressure control knob must be in Low Pressure position.
- Turn the motor ON/OFF switch to ON.

CAUTION: Do not turn motor on without fluid pump having enough fluid so that it can be primed. Running fluid pump dry will decrease life of pumps packings.

5. Prime the pump.

- Be sure gun safety latch is engaged.
- After the pump is primed, close the prime valve by turning it all the way to "closed" position.
- Turn the pressure control knob to desired spray pressure.
- Disengage the gun safety lock and you are ready to start spraying.

WARNING: To stop the unit in an emergency, turn motor off. Then relieve the fluid pressure in the pump and hose as instructed in the Pressure Relief Procedure on Page 6.

WARNING: If you spray into the paint bucket, always use lowest spray pressure and maintain firm metal to metal contact between gun and container. See Fig.3. page 2.

CONTINUED NEXT PAGE

SETTING UP AND STARTING

6. Adjusting the Pressure

- Turn the pressure control knob clockwise to increase and counterclockwise to decrease pressure.
- Always use the lowest pressure necessary to completely atomize the material.

CAUTION: Operating the sprayer at higher pressure than needed wastes material, causes early tip wear and shortens sprayer life.

- If more coverage is needed use a larger tip rather than increasing the pressure.
- Check the spray pattern. The tip size and angle determines the pattern width and flow rate.

7. Cleaning a Clogged Tip

WARNING: To reduce the risk of injection, never hold your hand, body, fingers or hand in a rag, in front of the spray tip when cleaning or checking for cleared tip. Always point the gun toward the ground or into a waste container when checking to see if the tip is cleared or when using a self-cleaning tip.

- Follow the Pressure Relief Procedure on page 6.
- Clean the front of the tip frequently (with toothbrush only) during the day to keep material from building up and clogging the tip.
- To clean and clear a tip if it clogs, refer to the separate instruction manual received with your gun or nozzle.

There is an easy way to keep the outside of the tip clean from material build-up:

Everytime you stop spraying for even a minute, lock the gun and submerge the gun into a small bucket of thinner compatible with the material sprayed. Thinner will dissolve the build up of paint on the outside of tip, tip guard and gun much more effectively if the paint did not have time to dry out completely.

WARNING: Clogged standard (flat) tip - clean only after the tip is removed from the gun. Follow the Pressure Relief Procedure on Page 6.

8. When shutting off the sprayer

- Whenever you stop spraying, even for a short break, follow the Pressure Relief Procedure Warning on page 6.
- Clean the tip and gun as recommended by your separate gun instruction manual.
- Flush the sprayer at the end of each work day if the material you are spraying is waterbased, or if it could harden in the sprayer overnight. See "Flushing" page 1 & 2. Use a compatible solvent to flush, then fill the pump and hoses with an oil-based solvent such as mineral spirits.

WARNING: Be sure to relieve pressure in the pump after filling with mineral spirits.

- For long term shutdown or storage, refer to page 1.

LCD - LIQUID CRYSTAL DISPLAY

If your sprayer is equipped with an optional LCD Readout, the system pressure will be displayed.

WARNINGS

HIGH PRESSURE SPRAY CAN CAUSE EXTREMELY SERIOUS INJURY. Handle as you would a loaded firearm. Learn and follow the PRESSURE RELIEF PROCEDURE ON PAGE 6. Observe all warnings. This sprayer is for professional use only.

DO NOT USE halogenated solvents in this sytem. The prime valve, 2 gun manifold and most airless guns have aluminum parts and may explode. Cleaning agents, coatings, paints or adhesives may contain halogenated hydrocarbon solvents. DON'T TAKE CHANCES! Consult your material suppliers to be sure. Some of the most common of these solvents are: Carbontetrachloride, Chlorobenzene, Dichloroethane, Dichloroethyl Ether, Ethylbromide, Ethylchloride, Tetrachloethane. Alternate valves and guns are available if you need to use these solvents.

Important: United States Government safety standards have been adopted under the Occupational Safety & Health Act. These standards, particularly the General Standards, Part 1910 & and Construction Standards, Part 1926 should be consulted.

WARNINGS CONTINUED ON NEXT PAGE.....

WARNINGS

MEDICAL ALERT - Airless Spray Wounds

If any fluid appears to penetrate your skin, get **EMERGENCY MEDICAL CARE AT ONCE. DO NOT TREAT AS A SIMPLE CUT.**
Tell the doctor exactly what fluid was injected.

NOTE TO PHYSICIAN: Injection in the skin is a traumatic injury. **It is important to treat the injury surgically as soon as possible. DO NOT DELAY treatment to research toxicity.** Toxicity is a concern with some exotic coatings injected directly into the blood stream. Consultation with a plastic surgeon or reconstructive hand surgeon may be advisable.

INJECTION HAZARD

Fluids under high pressure from spray or leaks can penetrate the skin and cause extremely serious injury, including the need for amputation.

NEVER point the spray gun at anyone or any part of the body.

NEVER put hand or fingers over the spray tip. Do not use rag or other materials over your fingers. Paint will penetrate through material and into the hand.

NEVER try to stop or deflect leaks with your hand or body.

ALWAYS have gun tip guard in place when spraying.

ALWAYS lock gun trigger when you stop spraying.

ALWAYS remove tip from the gun to clean it.

NEVER try to "blow back" paint, this is not an air spray sprayer.

ALWAYS follow the **PRESSURE RELIEF PROCEDURE**, as shown on page 6, before cleaning or removing the spray tip or servicing any system equipment.

Be sure equipment safety devices are operating properly before each use.

Tighten all fluid connections before each use.

MEDICAL TREATMENT

If any fluid appears to penetrate your skin, get **EMERGENCY CARE AT ONCE. DO NOT TREAT AS A SIMPLE CUT.**

* Go to an emergency room immediately.

* Tell the doctor you suspect an injection injury.

* Tell him what kind of material you were spraying with and have him **read NOTE TO PHYSICIAN above.**

GENERAL PRECAUTIONS

NEVER alter equipment in any manner.

NEVER smoke while in spraying area.

NEVER spray highly flammable materials.

NEVER use around children.

NEVER allow another person to use sprayer unless he is thoroughly instructed on its' safe use and given this operators manual to read.

ALWAYS wear a spray mask, gloves and protective eye wear while spraying.

ALWAYS ensure fire extinguishing equipment is readily available and properly maintained.

NEVER LEAVE SPRAYER UNATTENDED WITH PRESSURE IN THE SYSTEM. FOLLOW PRESSURE RELIEF PROCEDURES ON PAGE 6.

ALWAYS INSPECT SPRAYING AREA

Keep spraying area free from obstructions.

Make sure area has good ventilation to safely remove vapors and mists.

NEVER keep flammable material in spraying area.

NEVER spray in vicinity of open flame or other sources of ignition.

Spraying area must be at least 20 ft. away from spray unit.

SPRAY GUN SAFETY

ALWAYS set safety lock on the gun in "LOCKED" position when not in use and before servicing or cleaning. **DO NOT** remove or modify any part of gun.

ALWAYS REMOVE SPRAY TIP when cleaning. Flush unit with **LOWEST POSSIBLE PRESSURE.**

CHECK operation of all gun safety devices before each use.

Be very careful when removing the spray tip or hose from gun. A plugged line contains fluid under pressure. If the tip or line is plugged, follow the **PRESSURE RELIEF PROCEDURE** as outlined on page 6.

TIP GUARD

ALWAYS have the tip guard in place on the spray gun while spraying. The tip guard alerts you to the injection hazard and helps prevent accidentally placing your fingers or any part of your body close to the spray tip.

SPRAY TIP SAFETY

Use extreme caution when cleaning or changing spray tips. If the spray tip clogs while spraying, engage the gun safety latch immediately. **ALWAYS** follow the **PRESSURE RELIEF PROCEDURE** and then remove the spray tip to clean it.

NEVER wipe off build up around the spray tip.

ALWAYS remove tip & tip guard to clean **AFTER** pump is turned off and the pressure is relieved by following the **PRESSURE RELIEF PROCEDURE.**

Hazardous fluid or toxic fumes can cause serious injury or death if splashed in eyes or on skin, inhaled or swallowed. Know the hazards of the fluid you are using. Store & dispose of hazardous fluids according to manufacturer, local, state & national guidelines.

ALWAYS wear protective eyewear, gloves, clothing and respirator as recommended by fluid manufacturer. **WARNINGS CONTINUED ON NEXT PAGE.....**

WARNINGS

PRESSURE RELIEF PROCEDURE

To avoid possible serious bodily injury, including injection, always follow this procedure whenever the sprayer is shut off, when checking or servicing it, when installing, changing or cleaning tips and whenever you stop spraying or when you are instructed to relieve the pressure.

1. Engage gun safety latch. Refer to separate instruction manual provided with your gun on its safety features and how to engage safety latch.

2. Turn unit off and unplug from electrical outlet.

3. Disengage gun safety latch and trigger gun to relieve residual fluid pressure. *Hold metal part of the gun in contact with grounded metal pail.*

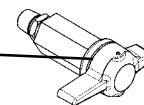
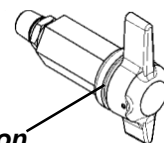


4. Turn Prime/pressure relief valve (PR Valve) to the open (priming) position to relieve residual fluid pressure.

There will be a wider gap between valve handle and cam body when in open position.

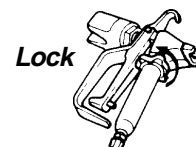
Note: When in closed position there is only a very slight gap.

Note: The valve handle can move both CCW & CW and can face different directions.



5. Re-engage gun safety latch.

*For overnight or long term storage close prime/pressure relief valve.



If the SPRAY TIP OR HOSE IS CLOGGED, follow Step 1 through 5 above. Expect paint splashing into the bucket while relieving pressure during Step 4. If you suspect that pressure hasn't been relieved due to damaged prime/pressure relief valve or other reason, engage gun safety latch and take your unit to an authorized Airlessco Service Center.

HOSES

Tighten all fluid connections securely before each use. High pressure fluid can dislodge a loose coupling or allow high pressure spray to be emitted from the coupling and result in an injection injury or serious bodily injury.

Use only hose having a spring guard. The spring guard helps protect the hose from kinks or other damage which could result in hose rupture and cause an injection injury.

NEVER use a damaged hose, which can result in hose failure or rupture and cause an injection injury or other serious bodily injury or property damage. Before each use, check entire hose for cuts, leaks abrasion or bulging of cover, or damage or movement of couplings. If any of these conditions exist, replace the hose immediately. Never use tape or any device to try to mend the hose as it cannot contain the high pressure fluid. NEVER ATTEMPT TO RECOUPLE THE HOSE. High pressure hose is not recoupleable.

Help prevent damage to the hose by handling and routing carefully. Do not move the sprayer by pulling it with the hose.

GROUNDING

Ground the sprayer & other components in the system to reduce the risk of static sparking, fire or explosion which can result in serious bodily injury and property damage. For detailed instructions on how to ground, check your local electrical code. ALWAYS ensure switch is in OFF position before plugging unit in.

Always ground all of these components.

1. Sprayer: plug the power supply cord, or extension cord, each equipped with an undamaged three-prong plug, into a properly grounded outlet. DO NOT USE AN ADAPTER.

Use only a 3 wire extension cord that has a 3 blade grounding plug, and a 3 slot receptacle that will accept the plug on the product. Make sure your extension cord is in good condition. When using an extension cord, be sure to use one heavy enough to carry the current your product will draw. (Note: The table on the top of the next page shows the correct size to use depending on cord length and name plate ampere rating. If in doubt, use the next heavier gauge. The smaller the gauge number, the heavier the cord.

2. Air Hoses; use only grounded hoses.

3. Fluid hose: use only grounded hoses.

4. Spray gun or dispensing valve; grounding is obtained through connection to a properly grounded fluid hose and pump.

5. Object being sprayed; according to your local code.

6. All solvent pails used when flushing.

Once each week, check electrical resistance of hose (when using multiple hose assemblies, check overall resistance.) Overall (end to end) resistance of unpressurized hose must not exceed 29 megohms (max.) for any coupled length or combination of hose lengths. If hose exceeds these limits, replace it immediately.

Never exceed 500 ft. (150 m) overall combined hose length to assure electrical continuity.

WARNINGS

UL RECOMMENDATION FOR MINIMUM GAUGE EXTENSION CORD

AMPERAGE RATING RANGE	VOLTAGE									
		25	50	100	150	200	250	300	400	500
5 - 6	120	18	16	12	12	10	10	8	8	6
6 - 8	120	18	16	12	10	10	8	6	6	6
8 - 10	120	18	14	12	10	8	8	6	6	4
10 - 12	120	16	14	10	8	8	6	6	4	4

Always follow recommended pressure and operating instructions.

KEEP CLEAR OF MOVING PARTS

Keep clear of moving parts when starting or operating the sprayer. Do not put your fingers into any openings to avoid amputation by moving parts or burns on hot parts. Precaution is the best insurance against an accident. When starting the motor, maintain a safe distance from moving parts of the equipment. Before adjusting or servicing any mechanical part of the sprayer, follow the PRESSURE RELIEF PROCEDURE on page 6.

AVOID COMPONENT RUPTURE

This sprayer operates at 3000 psi (205 bar). Always be sure that all components and accessories have a maximum working pressure of at least 3000 psi to avoid rupture which can result in serious bodily injury including injection and property damage.

NEVER leave a pressurized sprayer unattended to avoid accidental operation of it which could result in serious bodily injury.

ALWAYS follow the PRESSURE RELIEF PROCEDURE whenever you stop spraying and before adjusting, removing or repairing any part of the sprayer.

NEVER alter or modify any part of the equipment to avoid possible component rupture which could result in serious bodily injury and property damage.

NEVER use weak or damaged or non-conductive paint hose. Do not allow kinking or crushing of hoses or allow it to vibrate against rough or sharp or hot surfaces. Before each use, check hoses for damage and wear and ensure all fluid connections are secure.

REPLACE any damaged hose. NEVER use tape or any device to mend the hose.

NEVER attempt to stop any leakage in the line or fittings with your hand or any part of the body. Turn off the unit and release pressure by following PRESSURE RELIEF PROCEDURE,

ALWAYS use approved high pressure fittings and replacement parts.

ALWAYS ensure fire extinguishing equipment is readily available and properly maintained.

PREVENT STATIC SPARKING FIRE/EXPLOSIONS

ALWAYS be sure all equipment & objects being sprayed are properly grounded. Always ground sprayer, paint bucket and object being sprayed. See grounding on page 6 for grounding information.

Vapors created when spraying can be ignited by sparks. To reduce the risk of fire, always locate the sprayer at least 20 feet (6 m.) away from spray area. Do not plug in or unplug any electrical cords in the spray area, which can create sparks, when there is any chance of igniting vapors still in the air. Follow the coating & solvent manufacturers safety warnings and precautions.

Use only conductive fluid hoses for airless applications. Be sure gun is grounded through hose connections. Check ground continuity in hose & equipment. Overall (end to end) resistance of unpressurized hose must not exceed 29 megohms for any coupled length or combination of hose length. Use only high pressure airless hoses with static wire approved for 3000 psi.

FLUSHING

Reduce the risk of injection injury, static sparking or splashing by following the specific cleaning process.

ALWAYS follow the PRESSURE RELIEF PROCEDURE on page 6.

ALWAYS remove the spray tip before flushing. Hold a metal part of the gun firmly to the side of a metal pail and use the lowest possible fluid pressure during flushing.

NEVER use cleaning solvents with flash points below 140 degrees F. Some of these are: acetone, benzene, ether, gasoline, naphtha. Consult your supplier to be sure. NEVER SMOKE in the spraying/cleaning area.

WHEN SPRAYING & CLEANING WITH FLAMMABLE PAINTS AND THINNERS

1. When spraying with flammable liquids, the unit must be located a minimum of 25 feet away from the spraying area in a well ventilated area. Ventilation must be sufficient enough to prevent the accumulation of vapors.
2. To eliminate electrostatic discharge, ground the spray unit, paint bucket & spraying object. See GROUNDING on pg. 6. Use only high pressure airless hoses approved for 3000 psi which is conductive.
3. Remove spray tip before cleaning gun and hose. Make contact of gun with bucket and spray without the tip in a well ventilated area, into the grounded steel bucket.
4. Never use high pressure in the cleaning process. USE MINIMUM PRESSURE.
5. Do not smoke in spraying/cleaning area.

AIRLESSCO 007 SPRAY GUN

SPRAY GUN

Attach spray gun to airless unit and tighten fittings securely. Set the gun safety latch. (Also may be called gun safety lock or trigger lock) * Refer to Fig. A.

* The gun safety latch should always be set when the gun is not being triggered.

Read all warnings and safety precautions supplied with the spray gun and in product manual.

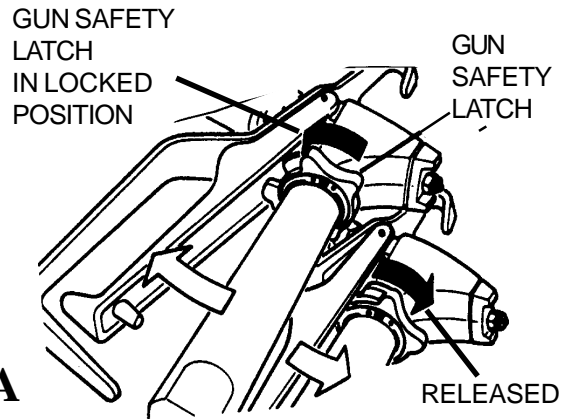
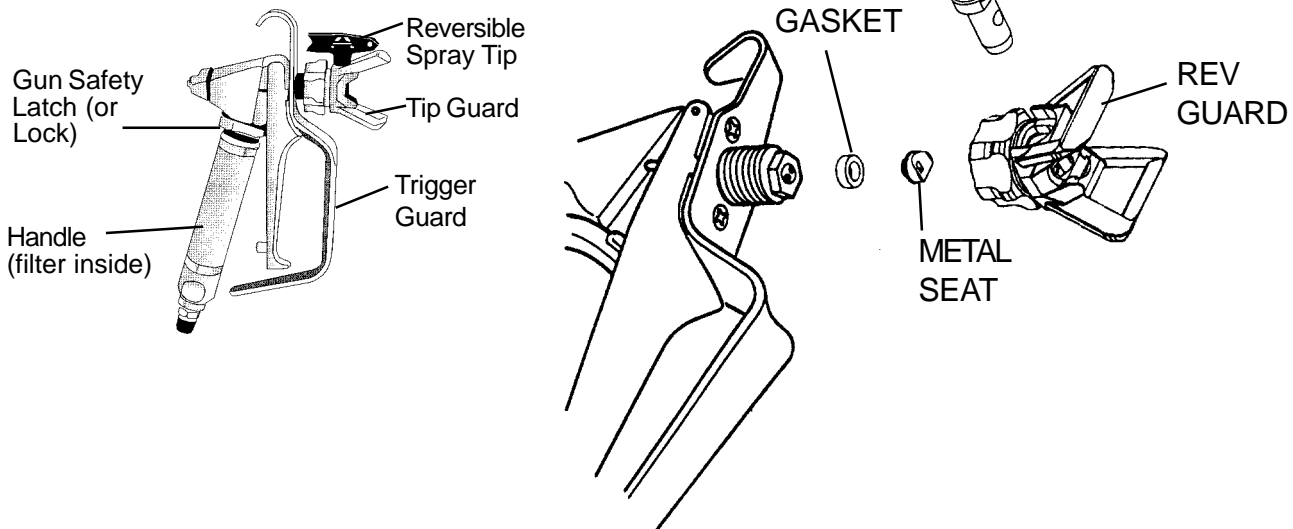


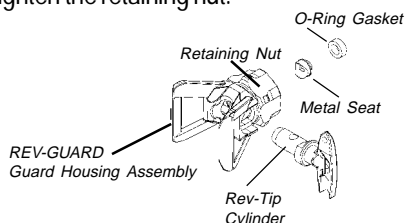
FIG. A

MAJOR COMPONENTS OF SPRAY GUN AND REVERSIBLE SPRAY TIP



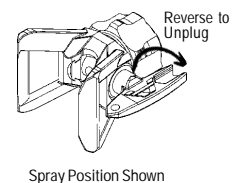
SPRAY TIP ASSEMBLY

1. Be sure the pressure relief procedure is followed before assembling tip and housing to the gun.
2. Insert Rev-Tip cylinder into REV-GUARD (guard housing assembly).
3. Guide the metal seat into REV-GUARD (guard housing assembly) through the retaining nut and turn until it seats against the cylinder.
4. Insert the O ring gasket onto the metal seat so that it fits into the grooves.
5. Finger tighten the REV-GUARD retaining nut onto the gun.
6. Turn guard in the desired position.
7. Completely tighten the retaining nut.



TO REMOVE CLOGS FROM SPRAY TIP

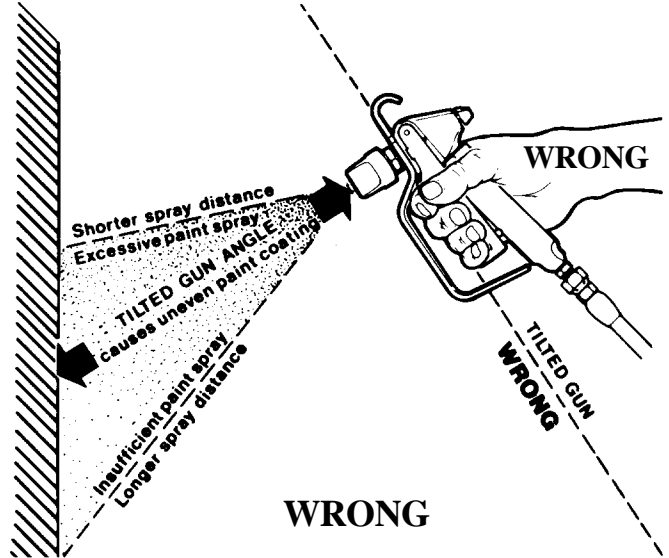
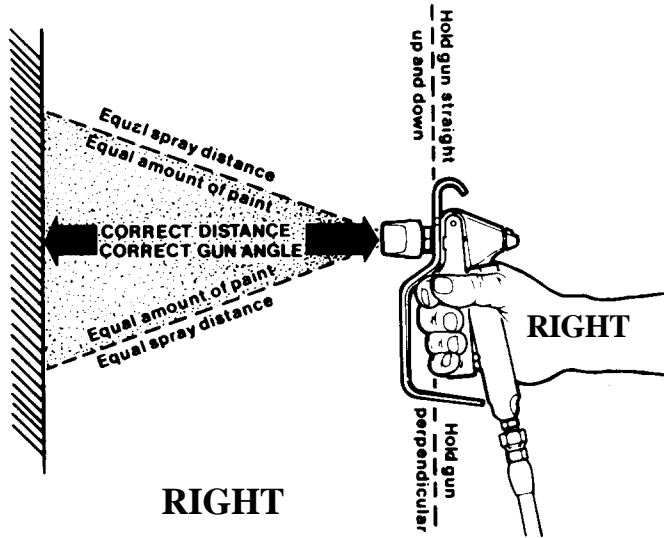
1. Lock gun safety latch.
2. Turn Rev-Tip handle 180 degrees.
3. Disengage trigger lock and trigger gun into pail.
4. If the Rev-Tip handle appears locked (resists turning), loosen the retaining nut. The handle will now turn easily.
5. Engage gun safety latch and return handle to the spray position.



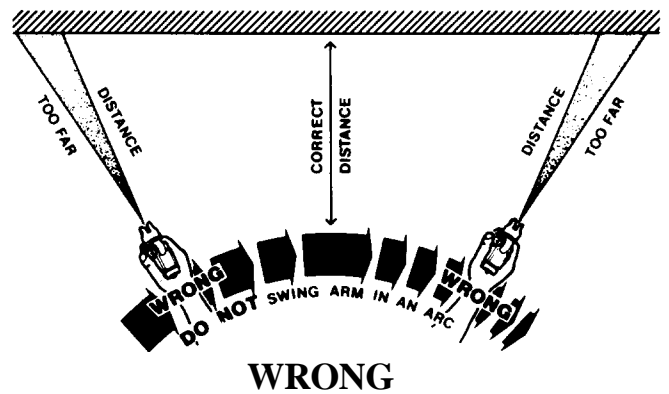
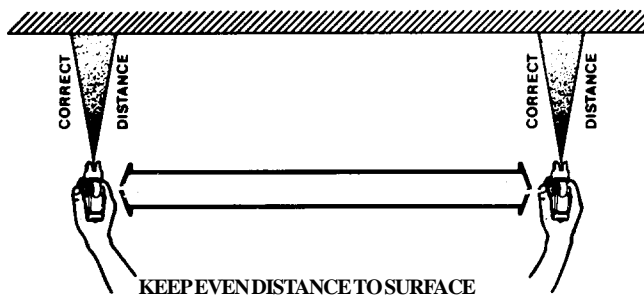
SPRAY TECHNIQUE

Good Spray Gun Technique is at the core of any spray paint operation. Operator skill and efficiency is as important as good equipment and good paint. Good spray technique is a skill that can be quickly learned by following these simple instructions.

If you are not familiar with spraying techniques, we recommend that you study this section of your manual and practice the proper technique on pieces of cardboard or a suitable surface.



Hold the spray gun 12 - 15 inches away from the work surface and keep it perpendicular (straight) to the surface. Move the spray gun parallel to the work and at a right angle to the surface.

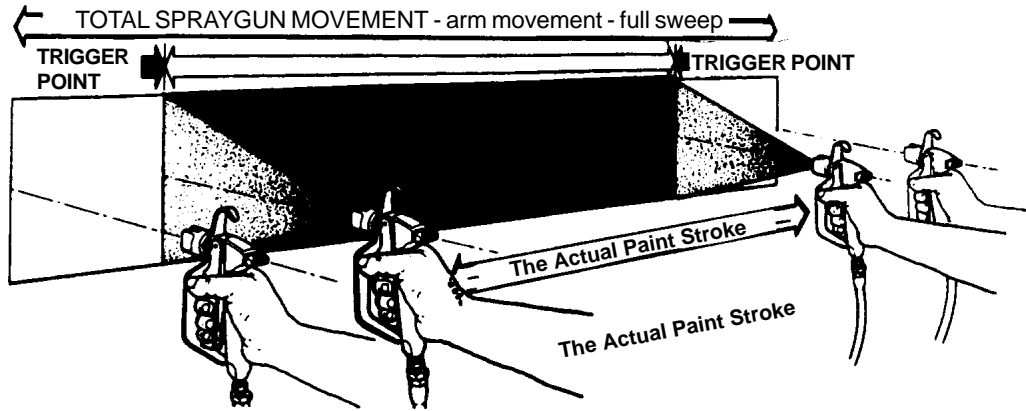


Move the gun at a steady rate in order to apply a good coverage. The wet coat should be just under the thickness at which a run or sag will occur. slow gun movement or gun held too close will result in an overly wet or thick wet or thick coat coverage that is likely to run or sag.

The closer the spray gun is held to the work, the thicker the paint is deposited and the faster the gun must be moved to prevent sags and runs. Holding the gun too far from the work will cause excessive fog, overspray, and a thin and grainy coat.

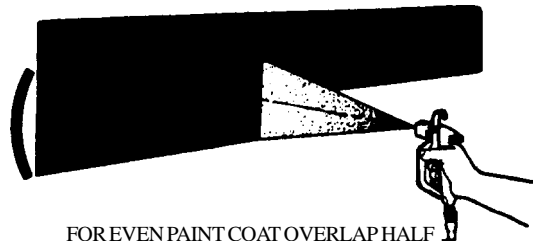
Do not wave the spray gun. This waving is called arching. Instead, hold the spray gun at a 12 to 15 inch distance perpendicular from the work.

SPRAY TECHNIQUE



It is important to "trigger" the gun after gun movement (arm movement) has started and release trigger (shut gun off) before gun movement ends. Gun movement is always longer than actual paint (spray) stroke. In that manner, even blending and uniform paint coat thickness is achieved over the entire surface. When the gun is in motion as the trigger is pulled, it deposits an even amount of paint.

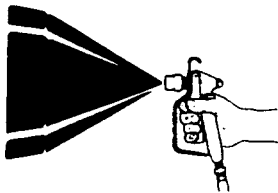
Overlap the previous pass by half the width of the spray pattern. Aim at the bottom of the previous pass.



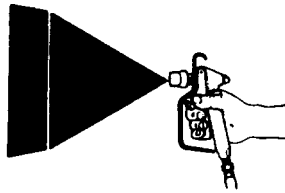
FOR EVEN PAINT COAT OVERLAP HALF THE WIDTH OF EACH PAINT STROKE.

Spray with uniform strokes from left to right and from right to left, holding stroke speed, distance, lapping, and triggering as uniform as possible.

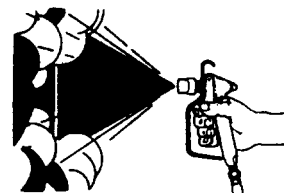
TAILING



GOOD PATTERN



FOG, OVERSPRAY

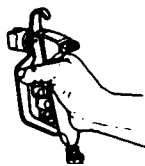


Adjust pressure control knob so that paint is completely atomized from the spray gun. Insufficient pressure will result in "tailing".

Too much pressure will result in excess fog and overspray, excessive tip wear, and increased sprayer wear and tear.

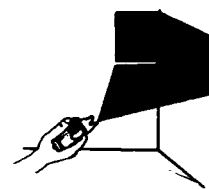
POOR PATTERN

GOOD PATTERN

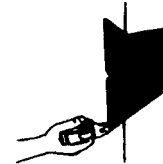


Always use the lowest pressure possible to obtain desirable results.

Test the spray pattern on a piece of cardboard or other surface.



INSIDE CORNER



OUTSIDE CORNER

"Inside" and "outside" corners can be sprayed.

Aim the spray gun toward the center of the corner. The spray pattern is divided in half, and the edges of the spray pattern on both walls are the same.

AIRLESS SPRAY GUN OPERATION

<u>DEFECTS</u>	<u>CAUSE</u>	<u>CORRECTION</u>
Coarse spray	Low pressure	Increase the pressure.
Excessive fogging (overspray)	High pressure Material too thin	Reduce the pressure to satisfactory pattern distribution. Use less thinner.
Pattern too wide	Spray angle too large	Use smaller spray angle tip.
Pattern too narrow	Spray angle too small	Use larger spray angle tip (if coverage is OK, try tip in same nozzle group)
Too much material	Nozzle too small Material too thin Pressure too high	Use next smaller nozzle. Reduce pressure
Too little material	Nozzle too small Material too thick	Use next larger nozzle
Thin distribution in center of pattern "horns".	Worn tip Wrong tip	Change for new tip. Use nozzle with a narrow spray angle.
Thick skin on work	Material too viscous Application too heavy	Thin cautiously. Reduce pressure and/or use tip in next larger nozzle group.
Coating fails to close & smooth over	Material too viscous	Thin cautiously.
Spray pattern irregular, deflected	Orifice clogged. Tip damaged	Clean carefully. Replace with new tip.
Craters or pock marks, bubbles on work	Solvent balance	Use 1 to 3% "short" solvents remainder "long" sol (this is most likely to happen with material of low viscosity, lacquers etc.)
Clogged screens	Extraneous material in paint. Coarse pigments Poorly milled pigments (paint pigments glocculate cover screen. Incompatible paint mixture & thinners.	Clean screen Use coarse screen if orifice size allows. Use coarser screen, larger orifice tips. Obtain ball milled paint. If thinner has been added, test to see if a drop placed on top of paint mixes or flattens out on the on the surface. If not, try different thinner in fresh batch of paint.

TEST THE PATTERN

Good, full pattern.



Spotty pattern
Increase Pressure.



SPRAY TIP SELECTION

Spray tip selection is based on paint viscosity, paint type, and job needs. For light viscosities (thin paints), use a smaller tip; for heavier viscosities (thicker paints), use a larger tip size.

Spray tip size is based on how many gallons of paint per minute can be sprayed through the tip. Do not use a tip larger than the maximum pump flow rate or capacity the sprayer can accommodate. Pump flow rate is measured in gallons per minute (GPM).

TIP SELECTION CHART

REV -TIPS (P.N. 560-XXX)
FLAT TIPS (P.N. 570-XXX)

For sizes not shown, call factory for availability.

FULL RANGE OF TIP SIZES

Tip Identification: All tips have a 6 digit part number. The first 3 digits identifies it as a Rev-Tip (560) or a Flat Tip (570). The 4th digit is the fan width - the number is half the fan width, ie. 5 means a 10" fan when it is held 12" from the surface. The 5th and 6th digit is for the orifice size and is measured in thousands of an inch, ie: 17 = 0.017 inch- the higher the number, the larger the tip.

Fan Width		Orifice Size (Inch)										
in.	(mm)	.011	.013	.015	.017	.019	.021	.023	.025	.027	.031	.035
4-6	(102-152)	211	213	215	217	219						
6-8	(152-203)	311	313	315	317	319	321	323	325	327		
8-10	(203-254)	411	413	415	417	419	421	423	425	427	431	
10-12	(254-305)	511	513	515	517	519	521	523	525	527	531	535
12-14	(305-356)		613	615	617	619	621	623	625	627	631	635
14-16	(356-406)			715	717		721					
16-18	(406-457)			815		819	821				831	
Water Flow Rate	(gpm)	.12	.18	.24	.31	.38	.47	.57	.67	.77	1.03	1.31
Tip Flow Rate-water	(lpm)	.49	.69	.91	1.17	1.47	1.79	2.15	2.54	2.96	3.90	4.98
(Water @ 2000 psi, 138 bar)												
Paint Flow Rate	(gpm)	.10	.15	.21	.27	.33	.40	.49	.58	.66	.88	1.12
Tip Flow Rate-water	(lpm)	.38	.57	.79	1.02	1.25	1.51	1.85	2.20	2.50	3.33	4.24
(latex paint @ 2000 psi, 138 bar/1.36 spec.)												
Pump Minimum -pa	(gpm)	.25	.25	.33	.40	.50	.60	.75	.88	1.0	1.25	1.5
Output* Rate -water	(lpm)	1.0	1.0	1.25	1.5	1.9	2.3	2.8	3.3	3.8	4.7	5.7
*Pump will support tip worn to next larger size.												
Gun Filter	C= Coarse - 60 mesh F= Fine - 100 mesh	F	F	F,C	C	C	C	C	REMOVE FILTER			
Wood Interior	Lacquer, Varnish Stain, Sealer Enamel	•	•	•								
Wood Exterior	Exterior Stain Vinyl, Acrylic, Latex			•	•	•	•					
Masonry	Vinyl, Oil Base Alkyd Latex, Acrylic Block Filler Elastomer			•	•	•	•	•	•	•	•	•
Ceiling	Hi Build, Mil White						•	•				
Structural Steel	Heavy Coatings						•	•	•	•	•	•

Consult your paint manufacturer for application recommendation.

PATTERN WIDTH

Thickness of the paint coat per stroke is determined by spray tip "fan width", rate of the spray gun movement, and distance to surface.

SPRAY TIP SELECTION

Two tips having the same tip size, but different pattern widths will deliver the same amount of paint over a different area (wider or narrower strip).

A spray tip with a narrow pattern width makes it easy to spray in tight places.

SPRAY TIP REPLACEMENT

During use, especially with latex paint, high pressure will cause the orifice to grow larger. This destroys the pattern.

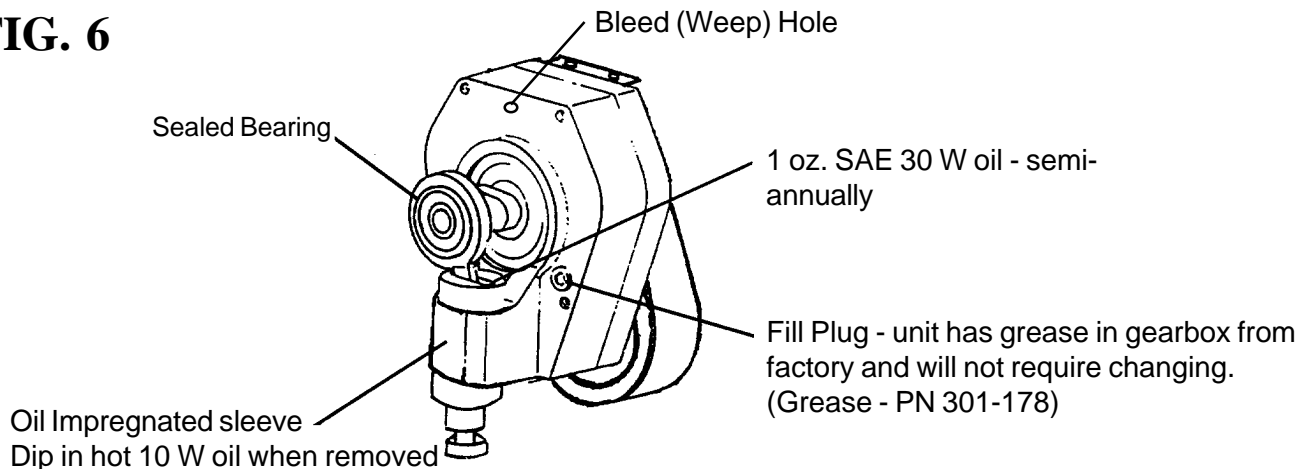
Replace tips before they become excessively worn. Worn tips waste paint, cause overspray, make cutting-in difficult, and decreases sprayer performance.

REGULAR MAINTENANCE

1. Always stop the pump at the bottom of its' stroke when you take a break at the end of the day. This helps keep material from drying on the rod and damaging the packings.
2. Keep the displacement pump packing nut/wet cup 1/3 full of TSO at all times. The TSO helps protect the packings and rod.
3. Inspect the packing nut daily. It should be tight enough to stop leakage, but no tighter. Overtightening will damage the packings.

OIL AND LUBRICATION INSTRUCTIONS

FIG. 6



ELECTRIC MOTOR MAINTENANCE

1. **LUBRICATION** - This motor is supplied with pre-lubricated ball bearings, lubricated for the life of the bearing.
2. **MOTOR BRUSHES** need periodic inspection and replacement as wear indicates. Brush wear is greatly influenced by individual application. It is recommended that brush wear be checked at early intervals of operation in order to determine future required inspection. Standard Leeson brushes have an initial length of 1 and 1/4". When the brushes are worn to a length of 5/8" they should be replaced.

TO CHANGE THE BRUSHES:

1. Unplug the machine.
2. Remove the cover over the motor.
3. Open the two covers at the rear of the motor.
4. Loosen the screw under the brush.
5. Pull out the wire.
6. Push the brush retainer clip in and withdraw.
7. Remove the worn brushes.
8. Install new brushes in the reverse order.

For long life, new brushes (Part No. 301-146 for 110V service, Part No. 301-147 for 220 - 240 V service) need to have a run in period. After changing brushes, set the machine for spraying. With a bucket of Coro-Chek and water, a 50' 1/4" airless hose, airless gun and tip on unit, open the prime valve and switch on. The pump will now prime. With pump running in the prime mode, turn the pressure control knob to high pressure. (The pump has to cycle fast with no pressure in the pump). Now run the pump for 20 minutes.

After 20 minutes, the brushes will be run in.

TROUBLESHOOTING

<u>PROBLEM</u>	<u>CAUSE</u>	<u>SOLUTION</u>
There is spitting from the gun.	The fluid supply is low or empty. Air entrapped in the fluid pump of hose.	Refill the supply container. Check for loose connections on the siphon assembly, tighten, then re-prime pump.
Paint leaks into the wet cup.	The wet cup is loose. The throat packings are worn or damaged. Piston Rod Worn.	Tighten just enough to stop leakage. Replace the packings. See page 17 - 18. Replace piston rod. See page 17 - 18.
The motor operates, but the paint pump doesn't	The pressure setting is too low. The displacement is seized by dried paint.	Increase the pressure . See page 4. Service the pump. See pages 15 - 18.
The motor and displacement pump operates, but paint pressure is too low, or none.	The pressure setting is too low. The tip or gun filter is clogged. Tip is worn. The fluid displacement pump filter (if used) is clogged. There is a large pressure drop in the fluid hose.	Increase the pressure. See page 4. Remove the tip and/or filter and clean them. Replace Tip. Clean the filter. Use a larger diameter hose.
The displacement pump operates, but the output is too low on the downstroke or both strokes.	The lower check valve ball check is not seating properly.	Service the lower check valve ball check. See page 16.
The displacement pump operates, but the output is too low on the upstroke.	The upper check valve ball is not seating properly. The lower packings are worn or damaged.	Service the upper check ball valve per page 16. Replace the packings. See page 17-18.
The displacement pump operates but the pressure is too low.	Tip too large. Long Extension cord causes power drop.	Use smaller tip. Use less extension cord.
Motor stops.		Reset overload switch.
The displacement pump operates, but unit does not prime.	Upper or lower ball is stuck or obstructed. Unit hose air leak (bubbles blowing out bypass hose)	Service upper and lower check ball valve. See page 16. Inspect suction hose for holes, if so equipped. Ensure suction nut is tight and lower ball cage O-ring is not worn.
Units does not run.	Thermal Breaker tripped. Electrical Failure.	Press Re-set button. Contact local Airlessco Service Center.

SERVICING FLUID PUMP

Note: Check everything in the Troubleshooting Chart before disassembling the sprayer.

FLUID PUMP DISCONNECT

1. Flush out the material you are spraying, if possible.
2. Follow the Pressure Relief Procedure on Page 6. Stop the pump in the middle of down stroke.
3. Remove the suction tube and fluid hose (if so equipped) from the fluid pump.
4. Remove 2 retaining rings and slip the sleeve of the coupling down and remove both coupling halves. This will disconnect fluid pump from the connecting rod.
5. Unscrew the two tie rod locknuts.
6. Pull the pump off the tie rods.

FLUID PUMP REINSTALL

1. Loosen the packing nut and extend piston rod to fully up position. Slip sleeve (189-047) over the piston rod.
2. Make sure that spacer tubes (301-048) are in place.
3. Connect connecting rod with fluid pump by installing coupling halves (189-046). Slide sleeve over coupling halves. Secure with retaining ring (189-048).
4. Secure the fluid pump housing to the tie rods (100-328) and screw locknuts with washers on loosely.
5. Tighten the tie rod locknuts evenly to 30 ft. lb.

NOTE: After all the rod locknuts are tight, the alignment of both rods should allow easy assembly and disassembly of the coupling. If any binding, loosen and retighten all the rod locknuts to improve the alignment. Misalignment causes premature wear of seal and packings.

6. Tighten the packing nut clockwise until resistance against the packings can be felt. Turn it 1 full turn more. Approximately 4-5 threads of the packing nut should show.
7. Start the pump and operate it slowly (at low engine speed) to check the piston rod for binding. Adjust tie rod lock nuts if necessary to eliminate binding.
8. Prime the unit and run at maximum pressure for several minutes, then release the pressure and repeat step 6.
9. Fill the wet cup (packing nut) about 1/3 full of TSO (Throat Seal Oil)

SERVICING UPPER & LOWER CHECK VALVES

LOWER CHECK VALVE (SEE FIG. 7 & 9)

1. Screw the lower check valve nut (187-018) out of the pump housing (187-313) containing intake seat support (187-017).
2. Remove the intake seat (187-065), O-ring (187-034), intake ball (187-020) and retainer (187-016).
3. Clean all parts and inspect them for wear or damage, replacing parts as needed. Old "O" rings should be replaced with new ones.
4. Clean inside of pump housing (187-313).
5. Reassemble the valve and screw it onto the pump housing if no further pump service is needed.

PISTON-ROD, UPPER CHECK VALVE (SEE FIG. 7 & 9)

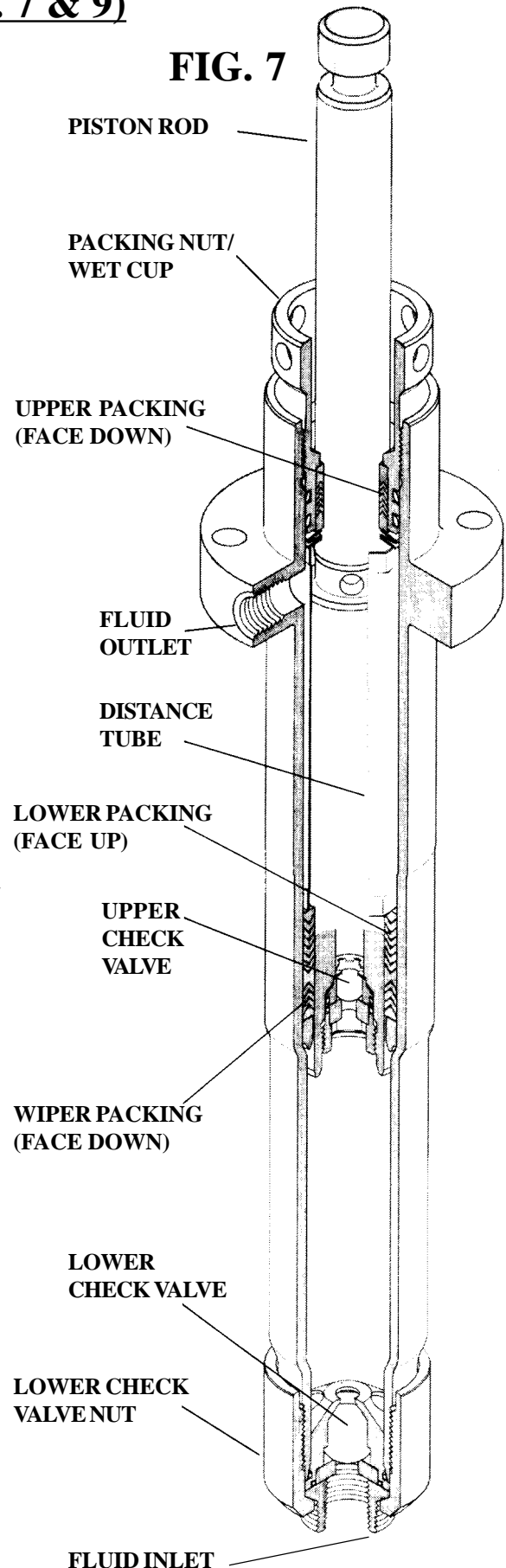
1. Stop piston rod in middle of it's stroke. Remove retaining rings (189-048).
2. Slip the sleeve (189-047) off the coupling halves (189-046) and remove both coupling halves. This will disconnect piston rod from pump drive.
3. Screw the lower check valve nut (187-018) off the pump and remove lower check valve.
4. Loosen the packing nut and push the piston rod down and out of the housing.
5. Place rod holder Part No. 187-248 in a vise. Slide the rod into the holder and lock in place with a 1/4" pin. Push the pin through the holder and the rod. Screw the seat support (187-021) out of rod, remove "O"ring (106-015), seat (187-044) and ball (115-022) out of the piston rod (187-311).

NOTE: Retainer (187-032) with "O"ring (106-016) and ball stop (187-022) may remain in the piston rod. Clean and check visually the ball stop (187-022) for excessive wear. If ball stop needs to be replaced, install any screw with thread 1/2-13NC into the threaded hole of retainer (187-032) and pull straight out.

6. Clean all parts and inspect them carefully for wear or damage. Inspect the outside of the piston rod for scoring or wear. Replace these parts if needed. A worn piston rod will cause premature wear of packings.
7. Install parts back into piston rod as per Fig. 9, pg. 18 VIEW A as shown.

Note: Before installing discharge seat support (187-021), place two drops of loctite No. 242 (blue) on threads before assembling.

8. After installation and tightening of discharge seat support, check to ensure ball stop (PN 187-022) is properly installed in piston rod and has not fallen into piston bore. Check by pushing on the ball and feeling a positive stop against the ball stop.



V - PACKING REPLACEMENT

V-PACKING REPLACEMENT KIT SEVERE DUTY- PART NO. 187-040

Contains: Leather & Plastic Packings, Teflon & Viton O-Rings, Balls & Upper Ball Stop & plastic dual sided female adaptor & Larger Plastic Male Glands.

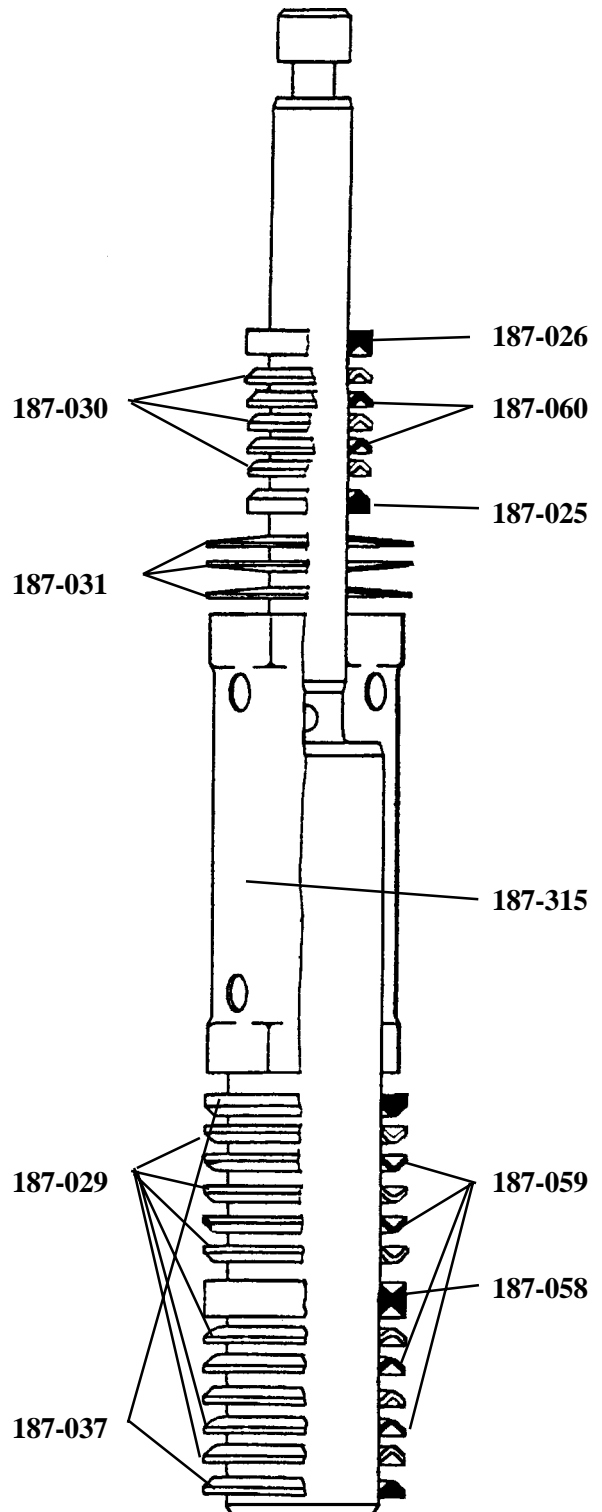
V-PACKING REPLACEMENT KIT ALL TEFLON - PN 187-042

GLAND KIT - PN 187-064

V-PACKING REPLACEMENT INSTRUCTIONS

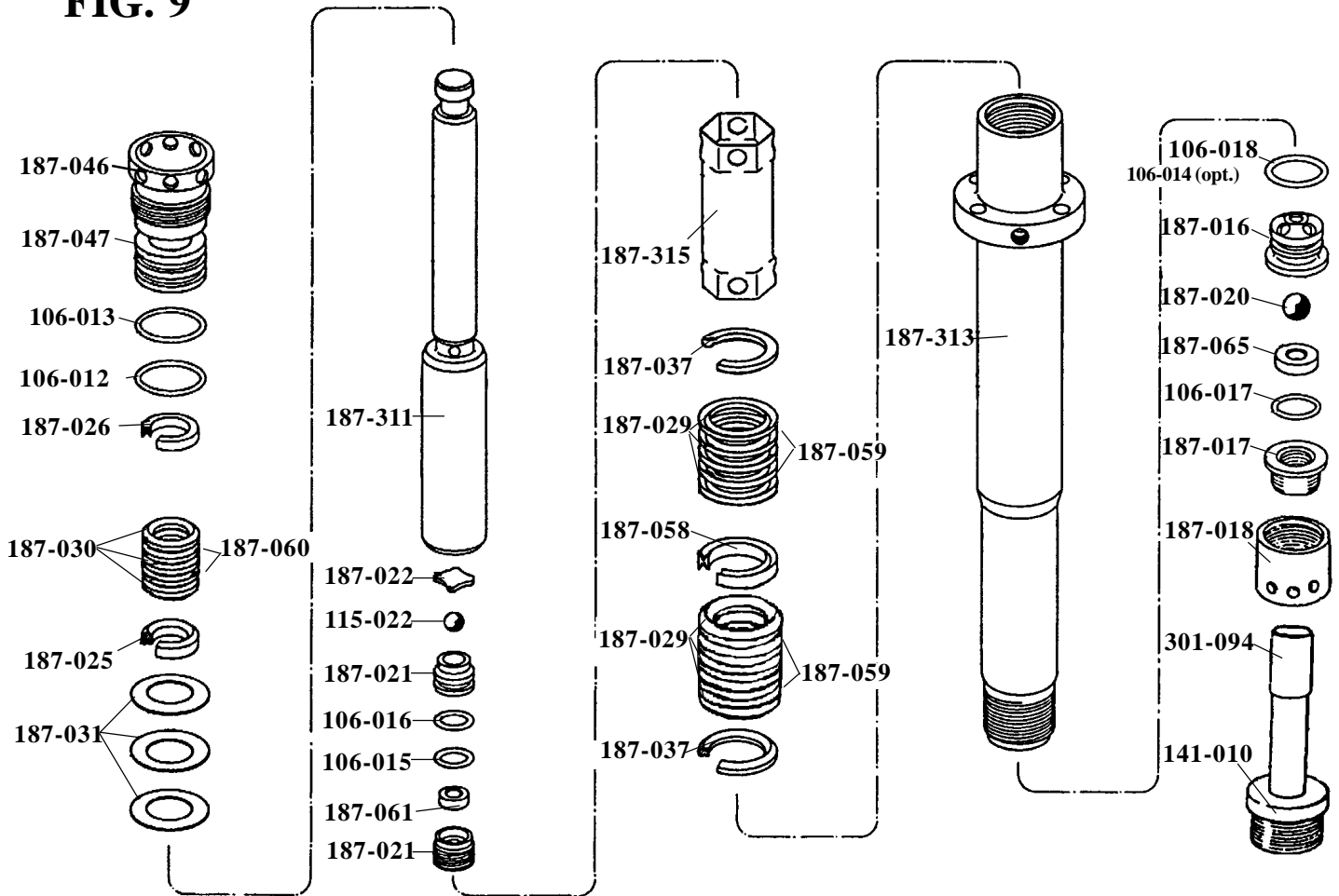
1. Remove the fluid pump as per the "Fluid Pump Disconnect" instructions page 15.
2. Unscrew and remove the lower check valve per instructions page 16.
3. Unscrew & remove the packing nut (187-046). Push the piston rod down through the packings and out of the pump. Wrap some masking tape around the bottom of the piston. Now push the piston back through the pump and remove through the top. The packings and glands will be removed with the piston rod, leaving the pump body (187-313) empty. Utilizing tool (PN 187-249) the complete packing set can be removed quickly and easily.
4. Disassemble and clean all parts for reassembly. Discard old packings and lower glands. Save upper glands (187-026 & 187-025) for reuse.
5. Hold piston rod in a vise, using the special block (PN 187-248) and pin (PN 187-250) tools.
6. Use a 7/16" allen wrench to remove the discharge seat support (PN 187-021) from the piston rod.
7. Pull out the discharge seat, gasket and upper ball from the piston rod.
8. Screw in a 3/8" bolt into the discharge retainer and extract the retainer with O-Ring attached. The discharge ball stop will fall out of the piston rod once the retainer is removed.
9. Clean all parts, replace O-rings and ball stop and reassemble as per drawing above. Note: before installing discharge seat support (187-021) place two drops of loctite (blue) No. 242 on threads before assembling.
10. After installation & tightening of discharge seat support, check to ensure ball stop (PN 187-022) is properly installed in piston & has not fallen into the piston bore. Check by pushing on the ball & feeling a positive stop against the ball stop (PN 187-022).

FIG. 8



FLUID PUMP - 187-310

FIG. 9



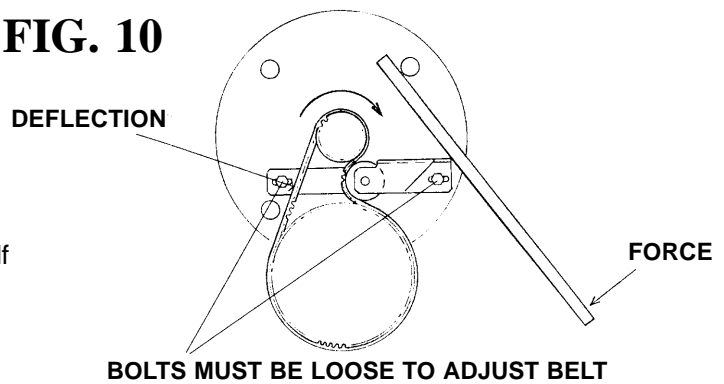
REASSEMBLY

11. Lubricate leather packings in lightweight oil for 10 minutes prior to assembly.
12. Remove masking tape from piston. (if used)
13. Reassemble all parts onto piston in the following order:
 - a. Start with lower male gland (187-037)
 - b. Five V-Packings (187-029 & 187-059). "V" inverted.
 - c. Female adaptor (187-058)
 - d. Five V-Packings (187-029 & 187-059). "V" up.
 - e. Upper Male gland (187-037)
 - f. Slide on distance tube (187-315)
 - g. Three Belleville Springs (187-031) starting with the first spring facing down (∩) and next facing up (∪) and the third facing down (∩).
 - h. Slide on upper male gland (187-025) with bevel facing up.
 - i. Five V-Packings (187-029 & 187-059). "V" inverted.
 - j. Female Gland (187-026)
 - k. Slide on the V-Packing holder (187-047) and Orings (106-013 & 187-012) over upper packings.
14. Lubricate inside of cylinder & outside of packings, then slide complete assembly into the pump casing (187-313). Thread packing nut (187-046) into cylinder & tighten (handtight)
15. Install the lower check valve and tighten the lower check valve nut (187-018).
16. Connect the pump to the machine as per fluid pump reinstall procedure page 15.
17. Tighten the packing nut (clockwise) until resistance is felt against the Belleville springs. Now turn it 1 turn clockwise.; Approximately four threads will show on the packing nut. Run unit to maximum pressure for 10 minutes, relieve pressure and repeat packing nut adjustment.

REPLACEMENT OF BELT/BELT ADJUSTMENT

NOTE: The Cog Belt System does not require alignment. When upper sheave is placed on motor shaft it is pushed on until a positive stop is reached. The set screws (Fig. 15, Item 30) are then loctited. The lower pulley is placed on gearbox and held in place with keyway and snap ring (Fig. 15, Item 18) The flange on upper sheave holds the belt in alignment and the belt self aligns on lower pulley eliminating having to align.

FIG. 10



REPLACEMENT OF BELT:

1. Remove cover (Fig. 15, Item 32) from unit.
2. Remove Tensioner Assembly (Fig 10). Then loosen screws (Fig. 15, Item 27). Move gearbox forward to allow removal and replacement of belt.
3. Retighten screws into gearbox until they bottom out. (Fig. 15, Item 27) This will align gearbox correctly.
4. Replace tensioner with bolts and leave loose to allow adjusting belt tension.
5. Tighten belt as shown in Figure 10. When properly tightened the deflection play should be 1/4 inch when pushing hard with thumb. (20 ft/lbs)

NOTE: When placing belt on pulleys and inserting the tensioner against belt, ensure cogs on belt are engaged into cogs on pulleys before tightening belts. Rotating upper pulley while holding the tensioner against the belt will allow proper engagement of cogs prior to tightening.

SUCTION ASSEMBLY - 5 GAL. - P.N. 301-090-99

FIG. 11

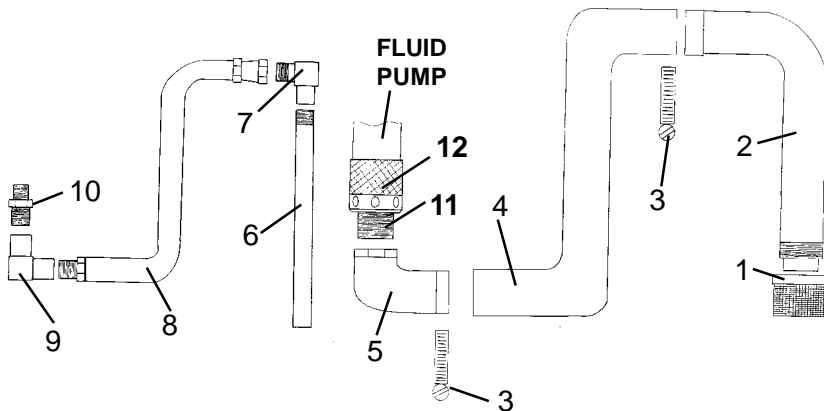


FIG. 11 PARTS LIST		
ITEM NO.	PART NO.	DESCRIPTION
*	301-517	Suction Hose Ass'y (includes items 1-5)
1	141-008	Inlet Strainer
2	301-514	Suction Tube
3	301-516	Hose Clamps (2)
4	301-513A	Hose
5	100-165	Elbow
6	188-377	Return Pipe
7	100-128	Elbow
8	100-012	Whip
9	100-126	Elbow **
10	100-385	Reducer**
11	187-017	Fitting
12	187-018	Suction Nut

** used on units equipped with either the 100-180 or 331-050 prime valves. The 301-090 suction ass'y also includes the 100-081A Elbow for units with the 138-001 marathon prime valve.

SUCTION ASSEMBLY - 55 GAL. - P.N. 301-543-99

FIG. 12

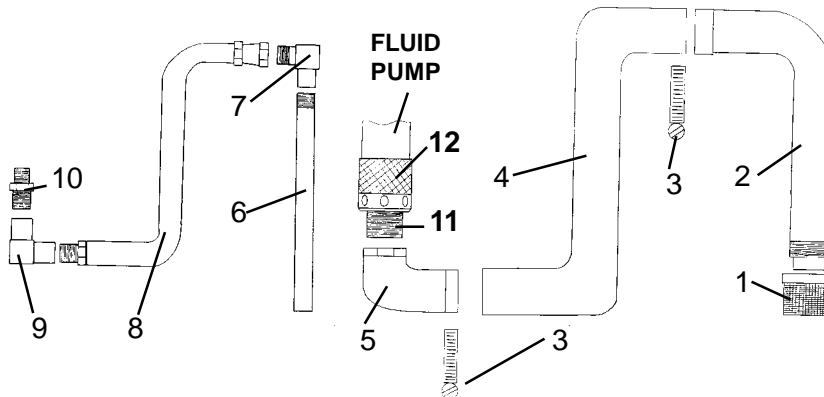


FIG. 12 PARTS LIST		
ITEM NO.	PART NO.	DESCRIPTION
1	141-008	Inlet Strainer
2	301-545	Suction Tube
3	301-516	Hose Clamps (2)
4	301-544	Hose
5	100-165	Elbow
6	188-377	Return Pipe
7	100-128	Elbow
8	100-012	Whip
9	100-126	Elbow **
10	100-385	Reducer**
11	187-017	Fitting
12	187-018	Suction Nut

** used on units equipped with either the 100-180 or 331-050 prime valves. The 301-090 suction ass'y also includes the 100-081A Elbow for units with the 138-001 marathon prime valve.

MANIFOLD FILTER - PN 111-200-99

FIG. 13

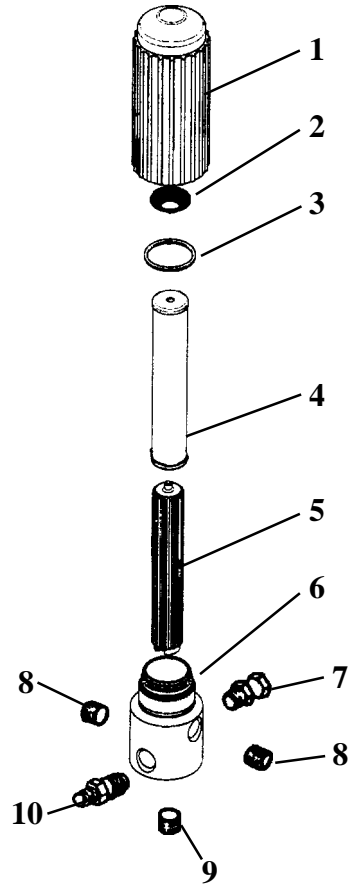


FIGURE 13 PARTS LIST		
ITEM	PART NO.	DESCRIPTION
1	111-202	Base*
2	301-356	Spring*
3	106-007	O-Ring*
4	111-204	Filter
5	111-203	Support*
6	111-201	Base*
7	100-101	Swivel
8	100-129	Plug 3/8" (2)
9	100-028	Plug 1/4"
10	100-109	Nipple 3/8 x 1/4
*	111-200	Filter

PAINT SYSTEM - PN 301-454

FIG. 14

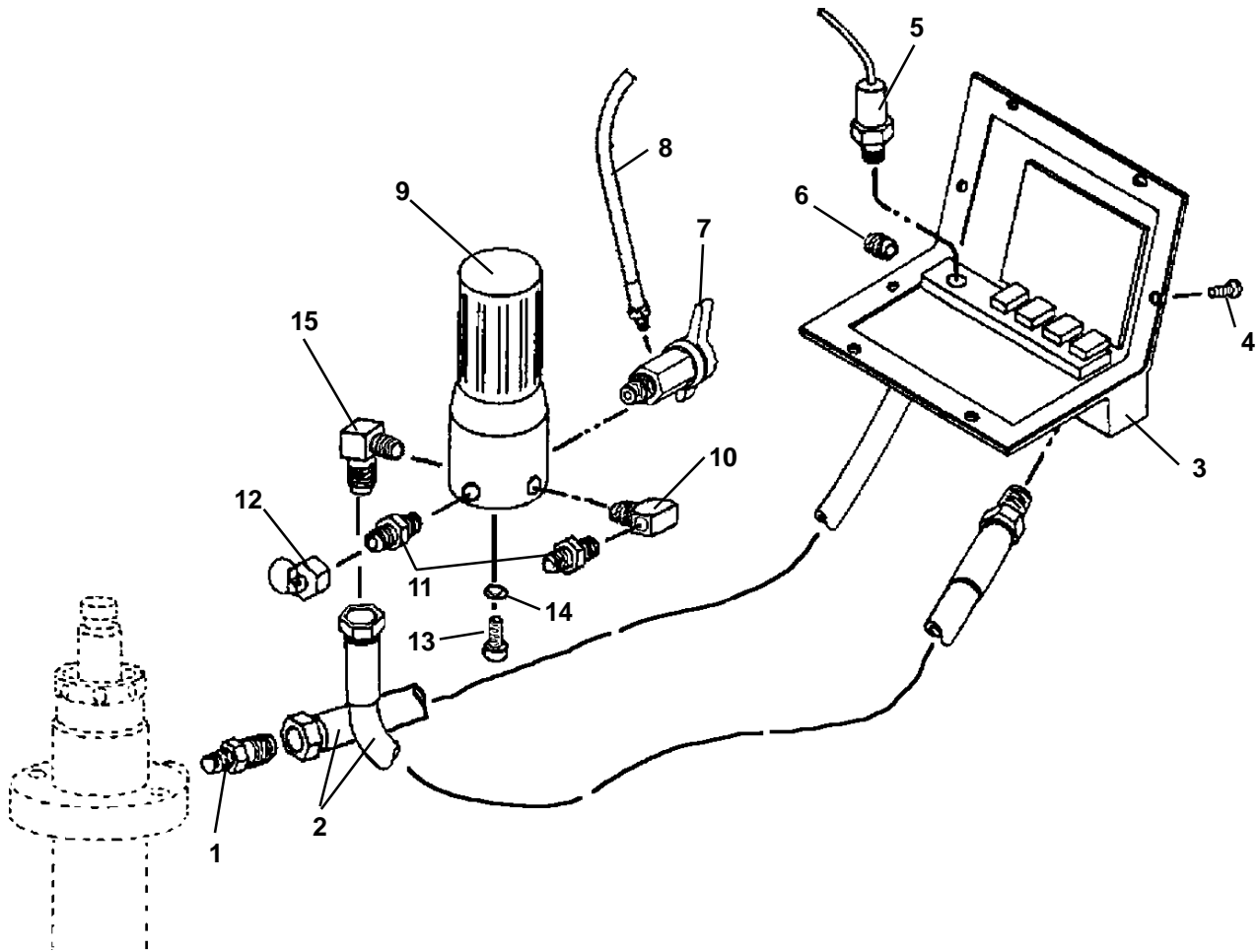
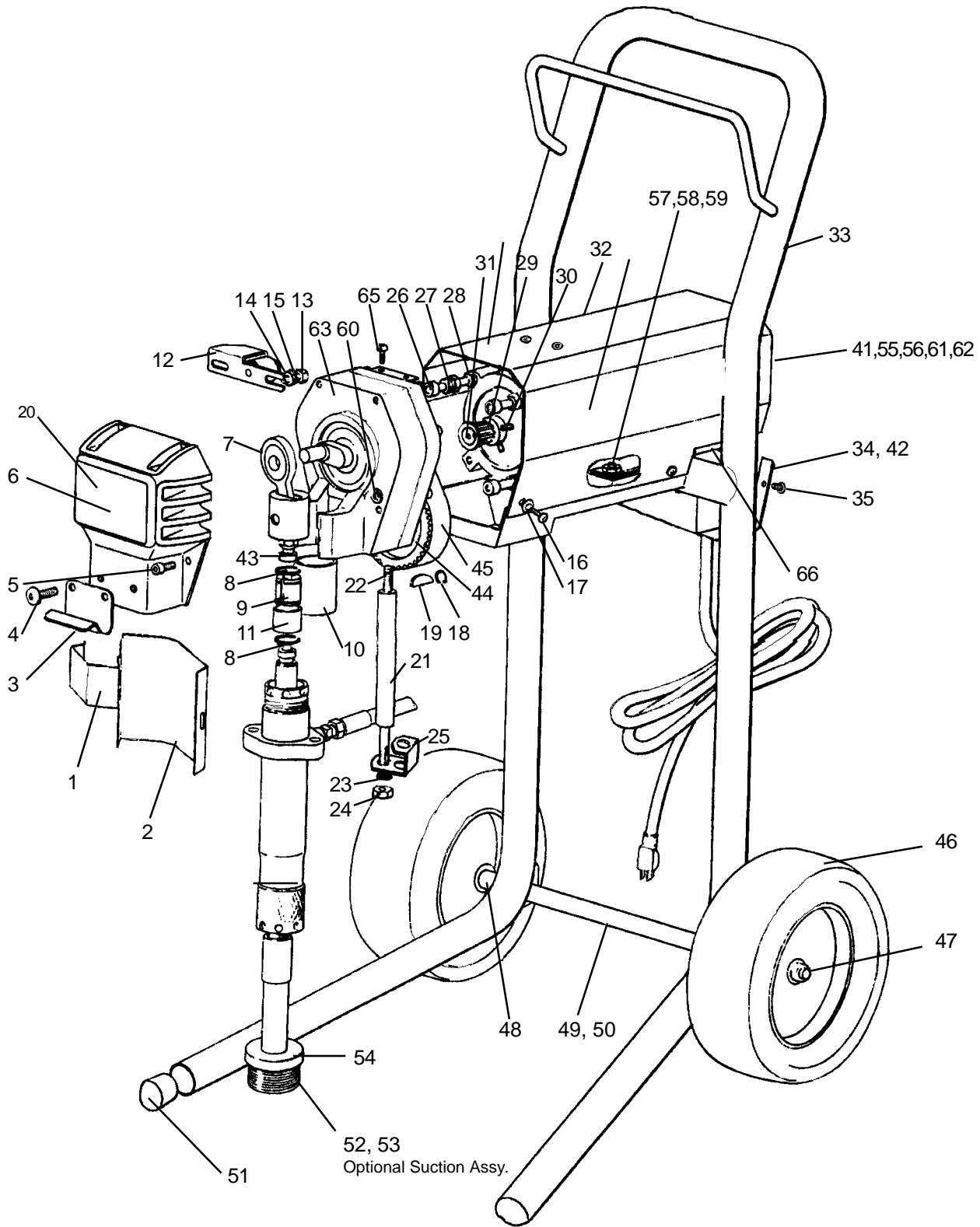


FIG. 14 PARTS LIST		
ITEM NO.	PART NO.	DESCRIPTION
1	100-109	Nipple 1/4
2	301-308	Hose (2)
3	301-318	Pressure Control Ass'y
4	111-037	Screw (8)
5	331-294-99	Sensor
6	100-028	Plug 1/4
7	100-180	Prime/Pres. Relief Valve
8	301-348	Bypass Hose
9	111-200	Manifold Filter
10	100-004	Elbow
11	100-109	Nipple (2)
12	100-160	Plug
13	100-312	Screw (2)
14	331-103	Washer (2)
15	167-016	Elbow

COMPLETE SPRAYER

FIG. 15



COMPLETE SPRAYER PARTS LIST

ITEM NO.	PART NO.	DESCRIPTION	ITEM NO.	PART NO.	DESCRIPTION
1	301-189	Shield- Front	35	111-037	Screw (8)
2	301-092	Shield- Rear			
3	301-105	Hook			
4	100-360	Screw (2)			
5	100-312	Screw (4)	41	117-052	Screws (3)
6	301-320	Cover	42	101-060	Label High Voltage
7	301-333	Connecting Rod Ass'y (10/11 Series)	43	301-046	Rod End
	301-291	Connecting Rod Ass'y (8 Series)	44	301-237	Pulley, Cog
8	189-048	Retaining Ring (2)	45	301-231	Cog Belt
9	189-046	Coupling Set	46	189-427	Air Wheel (2)
10	301-047	Sleeve Bearing	47	143-029	Set Collar (2)
11	189-047	Coupling Cover	48	167-014	Spacer (2)
12	301-193	Tensioner Ass'y			
13	111-044	Screw (2)	50	113-055	Axle
14	140-029	Washer (2)	51	301-134	Stopper (2)
15	113-023	Washer, (2)	52	301-517-99	Suction Ass'y 16" (5 gal)
16	111-037	Screw (4)	53	301-543-99	Suction Ass'y 36" (55 gal)
17	301-135	Grommet (6)	54	141-010	Inlet Strainer
18	100-332	Retaining Ring	55	301-106A	1 1/4 HPDC Motor (10/11 Series)
19	301-139	Woodruff Key			1 HPDC Motor (8 Series)
			56	301-089	Fan Cover
21	301-048	Spacer - Tube (2)	57	113-022	Nut (4)
22	100-328	Stud (2)	58	113-023	Washer, Lock (4)
23	140-035	Washer, Lock (2)	59	140-029	Washer (4)
24	140-051	Nut (2)	60	100-028	Plug 1/4 NPT
25	301-173	Bracket - Return Tube	61	301-190	Fan
26	136-033A	Screw (3)	62	130-191	Retaining Clip, Fan
27	301-099	Screw (3)	63	301-336	Gearbox 1" (10/11 Series)
28	140-051	Nut (3)	64	301-060A	Gearbox 3/4" (8 Series)
29	301-233	Sheave	65	301-337	Screw (2)
30	115-041	Set Screw (4)	66	301-316	Rubber Edge (1.17")
31	112-029	Key			(makes two)
32	301-321	Cover			
33	301-205	Frame			
34	301-318	Pressure Control Ass'y			

LABEL KITS

PART NO.

UNIT

301-430	AIRLESSCO SL810
301-435	ALLPRO 810E
301-431	AIRLESSCO SL1100
301-436	ALLPRO 1000E

SUPPLEMENTAL 230 VOLT PARTS LIST

MODEL	MOTOR & PART NO.	FUSE & PART NO.	BOARD
8 SERIES	1 HP - P.N. 301-058A	12 AMP P.N. 331-165	P.N. 301-364
10/11 SERIES	1.25 HP - P.N. 301-255A	15 AMP - P.N. 331-256	P.N. 301-364