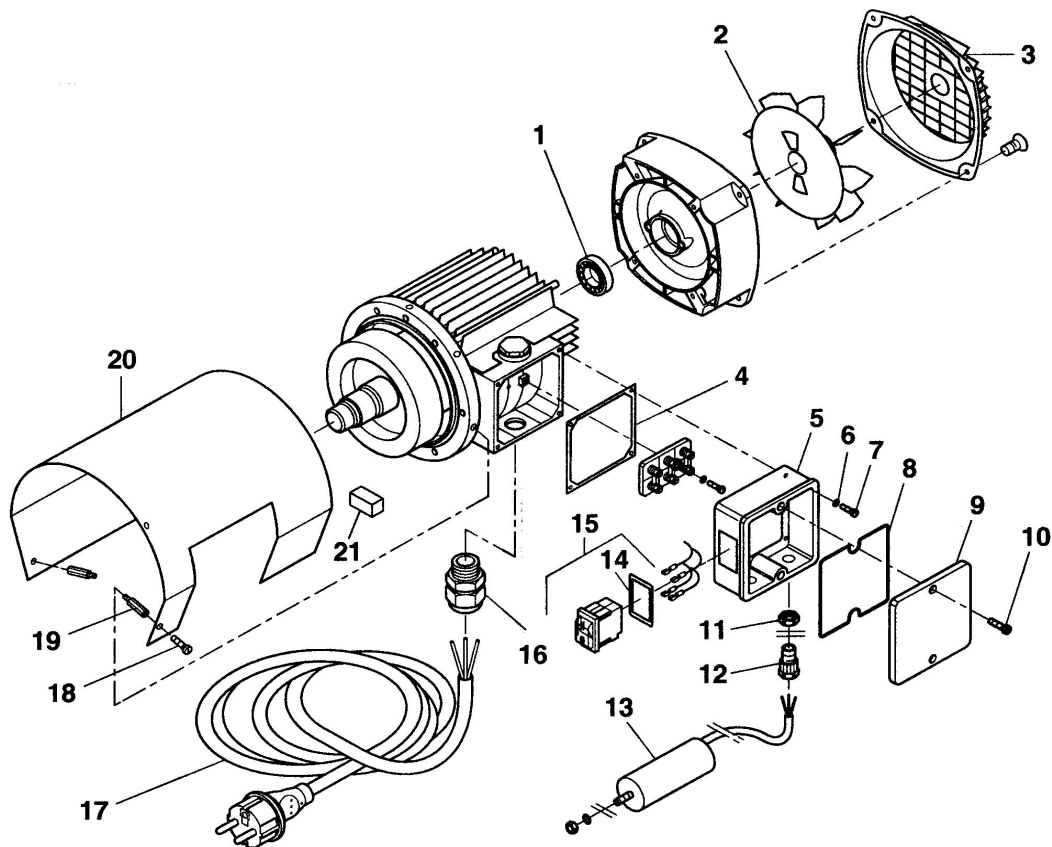


WAGNER DIAPHRAGM UNITS F350 Pump Assy

Item	Part No:	Description
1	9922516	Snap Ring 12 x 1
2	0187308	Spring Plate
3	0005311	Compression Spring
4	0252357	Piston
5	9971308	O'Ring 29.87 x 1.78
6	0252347	Pressure Insert
7	9921605	Spring Washer (6)
8	9906035	Cylinder Head Stud M12 x 50 (2)
9	0252703	Diaphragm with Insert
11	9971395	O'Ring 10 x 1.25
12	0169248	Relief Valve
13	0055402	Return Pipe Fitting
14	0252361	Paint Section
15	9990571	Protective Cap (2)
16	9906017	Cylinder Head Stud M12 x 50 (4)
17	9990601	Protective Cap (4)
18	0158360	Sealing Ring (2)
19	0252251	Inlet Valve Assy.
20	0252303	Inlet Housing
21	0253345	Inlet
22	0253218	Inlet Valve Trigger
23	0253374	Seal (2)
24	0253224	Screw Union End Cap
25	9971401	O'Ring 16 x 2
26	0010779	Compression Spring
27	0253405	Spring Support Ring
28	9941501	Ball 11
29	0252226	Valve Seat
30	0010778	Sealing Ring
31	0034301	Transition Socket M16 x 1.5 - 1/4 NPSM
32	0047432	Coupling Fitting NPSM 1/4
33	9970103	Sealing Ring 16 x 20 x 1.5
34	0288317	O'Ring 6.07 x 1.78 (2)
35	0188220	Suction Pipe
36	9951072	Cap
41	9971365	O'Ring 9.25 x 1.78
43	0158245	Pressure Control Valve Complete (includes items 37 - 42)

WAGNER DIAPHRAGM UNITS F350 Motor



Item	Part No:	Description	Item	Part No:	Description
1	9960106	Bearing 6203 Z	12	9982807	Grommet
2	0252432	Fan	13	9953149	Capacitor 40MF/400V (230V~, 50Hz)
3	0252433	Fan Cowl	14	9951071	Gasket
4	0252385	Gasket	15	9953674	Motor Switch 8A
5	0252386	Terminal Box	16	3057148	Grommet
6	9921505	Spring WasherB5DIN127(4)	17		Mains Cable
7	9900701	Screw M5 x 12 DIN84 (4)	18	9900703	Screw M4 x 8 (4)
8	9971480	Cord Gasket 2 x 370	19	9933104	Hexagon Distance Pin (4)
9	0252390	Cover	20	0252366	Motor Cover
10	9905103	Screw 4.3 x 19 (2)	21	9990859	Distance Buffer
11	9951030	Hexagon Nut			

WAGNER DIAPHRAGM UNITS F350 Hydraulics

