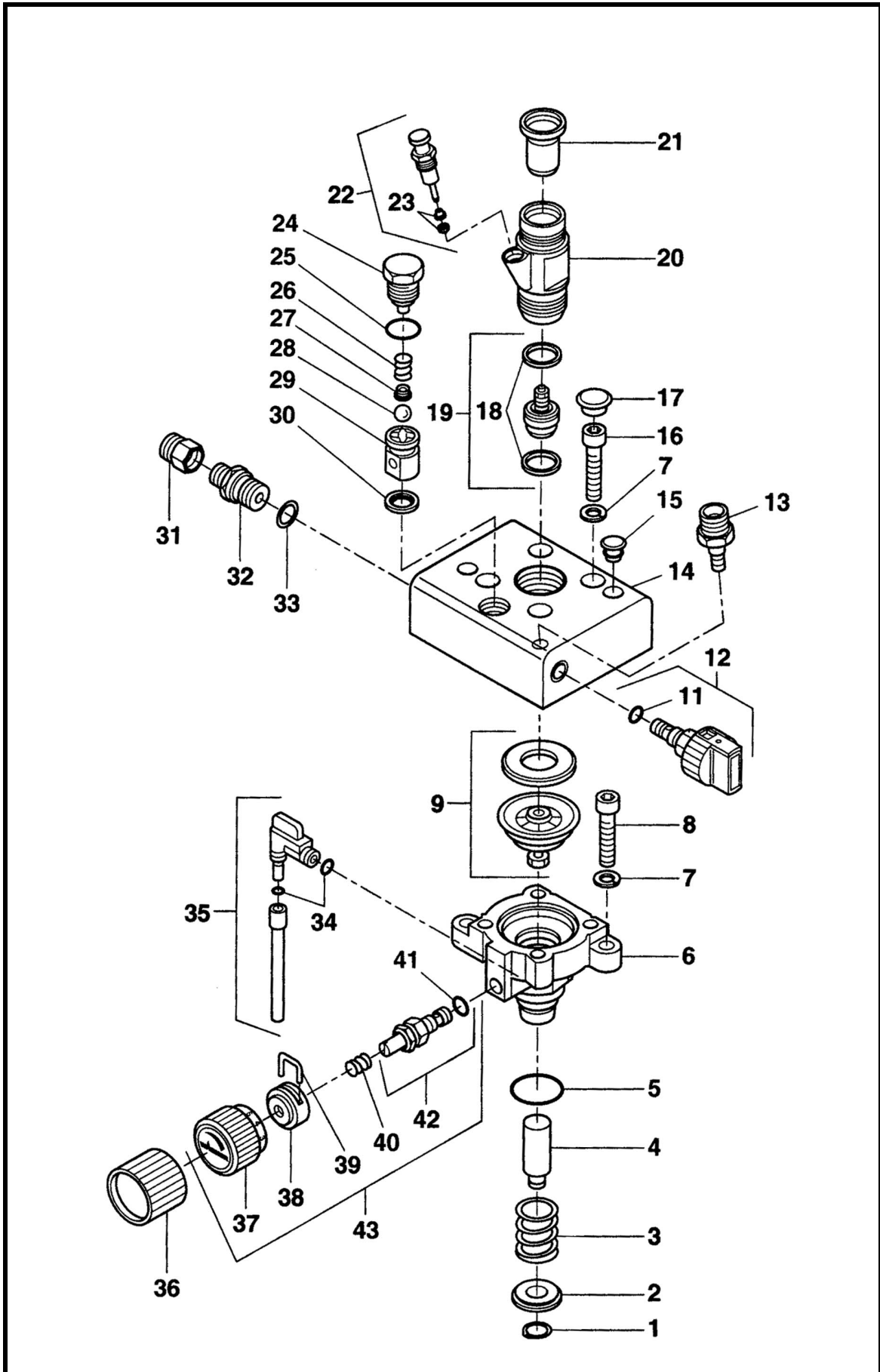


# WAGNER DIAPHRAGM UNITS F350 Pump Assy



# **WAGNER** DIAPHRAGM UNITS F350 Pump Assy

<b>Item</b>	<b>Part No:</b>	<b>Description</b>
1	9922516	Snap Ring 12 x 1
2	0187308	Spring Plate
3	0005311	Compression Spring
4	0252357	Piston
5	9971308	O'Ring 29.87 x 1.78
6	0252347	Pressure Insert
7	9921605	Spring Washer (6)
8	9906035	Cylinder Head Stud M12 x 50 (2)
9	0252703	Diaphragm with Insert
11	9971395	O'Ring 10 x 1.25
12	0169248	Relief Valve
13	0055402	Return Pipe Fitting
14	0252361	Paint Section
15	9990571	Protective Cap (2)
16	9906017	Cylinder Head Stud M12 x 50 (4)
17	9990601	Protective Cap (4)
18	0158360	Sealing Ring (2)
19	0252251	Inlet Valve Assy.
20	0252303	Inlet Housing
21	0253345	Inlet
22	0253218	Inlet Valve Trigger
23	0253374	Seal (2)
24	0253224	Screw Union End Cap
25	9971401	O'Ring 16 x 2
26	0010779	Compression Spring
27	0253405	Spring Support Ring
28	9941501	Ball 11
29	0252226	Valve Seat
30	0010778	Sealing Ring
31	0034301	Transition Socket M16 x 1.5 - 1/4 NPSM
32	0047432	Coupling Fitting NPSM 1/4
33	9970103	Sealing Ring 16 x 20 x 1.5
34	0288317	O'Ring 6.07 x 1.78 (2)
35	0188220	Suction Pipe
36	9951072	Cap
41	9971365	O'Ring 9.25 x 1.78
43	0158245	Pressure Control Valve Complete (includes items 37 - 42)