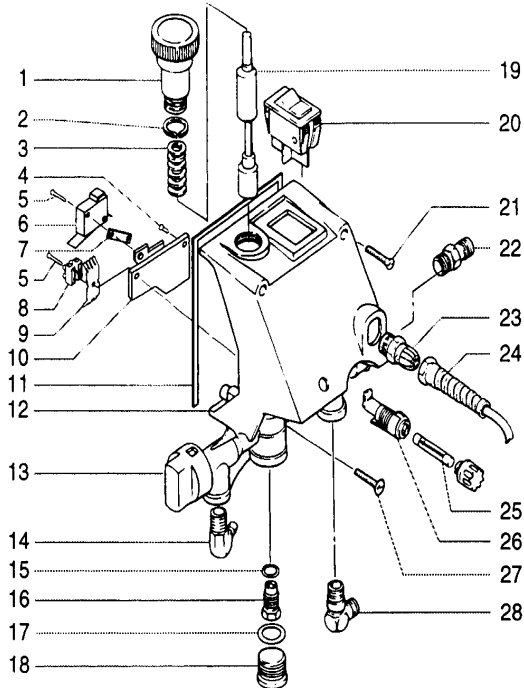


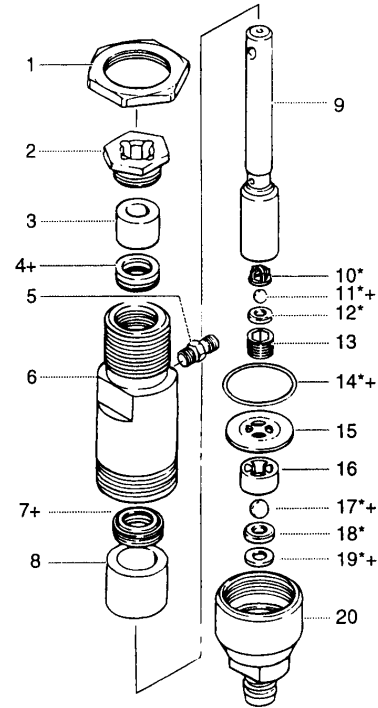
WAGNER ELECTRIC PISTON UNITS EP 2105

Pressure Control Assembly



Item	Part No:	Description	Qty
1	0295426	Pressure Control Knob	1
2	9822522	Retaining Ring	1
3	02712	Spring	1
4	9802895	Screw	1
5	9800604	Screw	3
6	0295153	Pressure Switch	1
7	0295374	Spacer	1
8	9850577	Terminal Block	1
9	0295427	Wire hold down, 2 PLC	2
10	0259415	Bracket	1
11	0295350	Gasket	1
12	0295472	Control Housing	1
13	0295905	Prime / Spray Valve Assy	1
14	9885567	90° barbed elbow	1
15	9871056	O'Ring	1
16	0295902	Transducer Assy (torque to 180 in/lbs)	1
17	9871060	O'Ring	1
18	9885562	Plug (torque to 20 ft/lbs)	1
19	0295377	Plunger	1
20	0275476	Switch	1
21	9802287	Screw (torque to 20 in/lbs)	4
22	05045	Nipple	1
23		Cord Set	1
24	0275703	Strain Relief	1
25	51411	Fuse 8 amp AGC	1
26	0508128	Fuse Holder	1
27	9802896	Screw	2
28	12440	90° elbow	1

Fluid Section Assembly (P/N 0295100)



Item	Part No:	Description	Qty
1	00302	Locknut	1
2	0294319	Packing Nut (torque to 25 -30 ft/lbs)	1
3	0295308	Upper Spacer	1
4	0295310	Upper T Lip Packing	1
5	05045	Nipple	1
6	0295305	Cylinder	1
7	0295311	Lower T Lip Packing	1
8	0295309	Lower Spacer	1
9	0295306	Piston	1
10	0295307	Outlet Ball Guide	1
11	50164	Outlet Ball	1
12	13359	Outlet Ball Seat	1
13	13481	Piston Seat Retainer (torque to 10 ft/lbs)	1
14	13381	O'Ring	1
15	0295304	Inlet Ball stop plate	1
16	0295300	Inlet ball guide	1
17	51799	Inlet Ball	1
18	0295570	Inlet Ball Seat	1
19	0508315	O'Ring	1
20	0295314	Inlet valve housing (torque to 90 ft/lbs)	1
Service Kits			
	0508936	Inlet Ball Kit (items 16 - 19)	
	0295910	Valve Kit (Includes items marked with *)	
	0295900	Packing Kit (Includes items marked with +)	