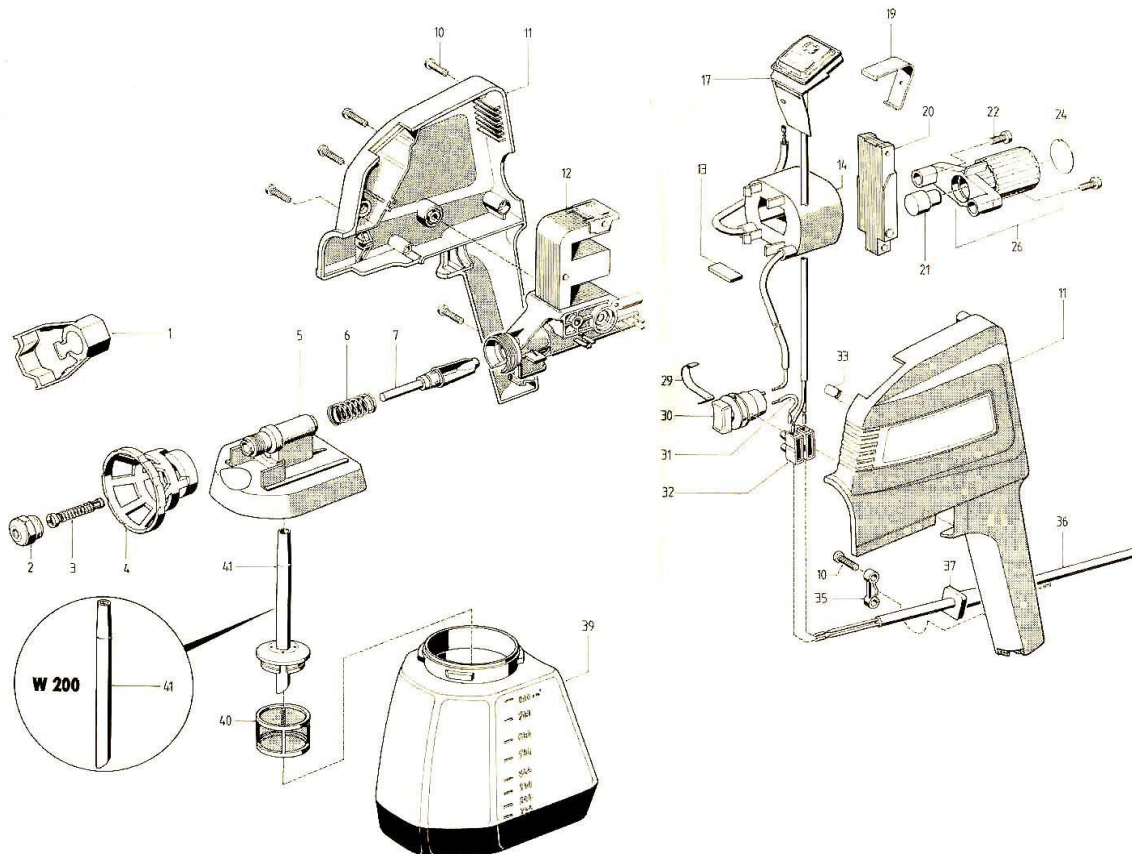


WAGNER Consumer Products W300E/W400SE



Item	W300E	W400SE	Description	Item	W300	W400SE	Description
1	0199327	0199327	Nozzle Spanner	21	0046249	0046249	Impact Stopper
2	0203224	0203224	Nozzle	22	9905103	9903315	Screw 4.2 x 19
3	refer list	refer list	Swirl Valve	24	0199322	0199322	Scale Plate
4	0199313	0199313	Locknut	26	0199701	0199701	Adjustment Assy
5	0199205	0199205	Pump Housing	29	0199316	0199316	Clamping Spring
6	0033028	0016101	Piston Spring	30	9953572	9953572	Switch
7	0198207	0198207	Piston	31	9951217	9951217	Hook Up Wire
10	9905103	9905103	Screw 4.2 x 19	32	9950201	9950201	Terminal Board
11	0199318	0199318	Housing half shells	33	0198302	N/a	Gasket
12	0198200	0199200	Drive Housing	35	0199320	0199320	Strain Relief
13	0031385	0031385	Shock Absorber	36	9951436	9951436	Power Cable
14	0198211	0199230	Drive Coil 240V 50Hz	37	9951216	9951216	Grommet
17	0198703	0199703	Electronic Module	39	0199209	0199209	Container
19	0024201	0024201	Leaf Spring	40	0016551	0016551	Filter
20	0198203	0198203	Armature	41	0046561	0046561	Suction Tube